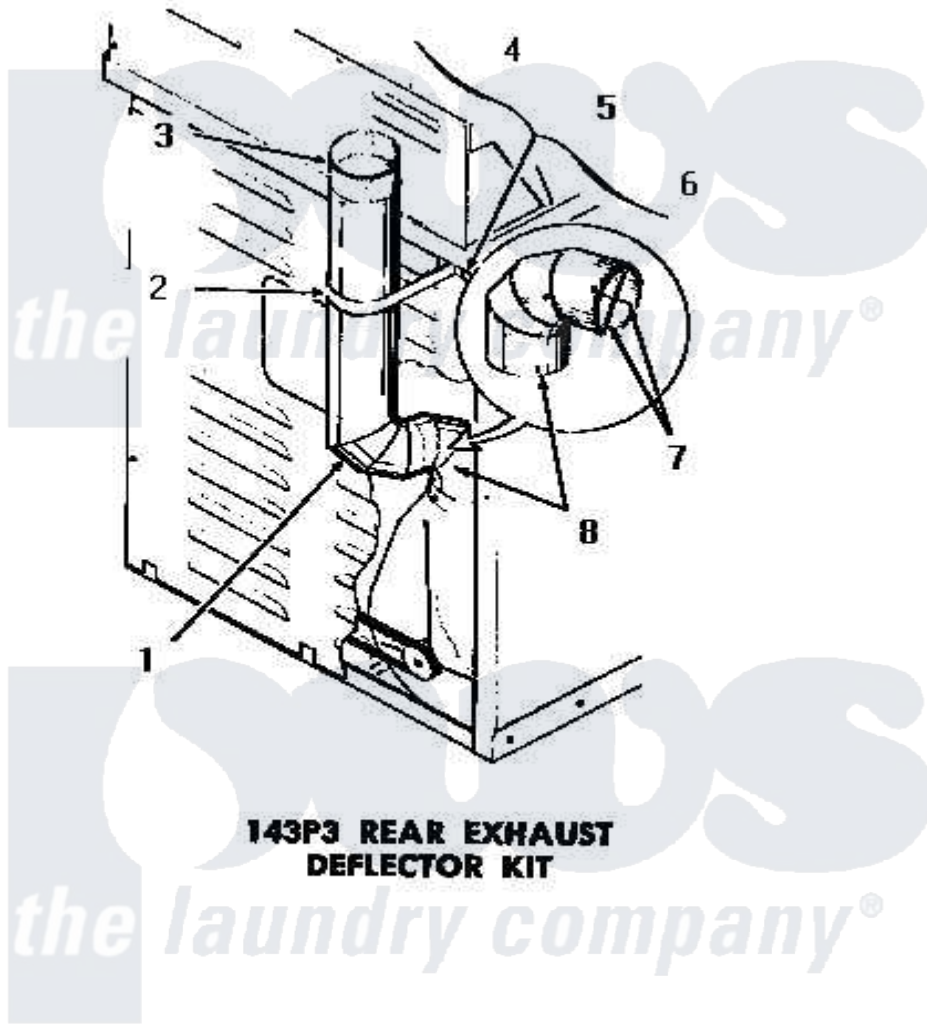


# Amana DG3331 01 - 143P3 REAR EXHAUST DEFLECTOR KIT



Amana [Residential Amana DG3331 Washer Parts](#) Parts Diagram 01 - 143P3 REAR EXHAUST DEFLECTOR KIT  
 Click on the part number to view part

| Item | Original Part Number  | Replaced By | Status        | Part Description                                      |
|------|-----------------------|-------------|---------------|---|
| 1    | 51917                 |             | Not Available | ELBOW   |
| 2    | 52127                 |             | Not Available | SUPPORT BRACKET                                       |
| 3    | Y52129                |             | Not Available | EXHAUST PIPE, 4" X 18"                                |
| 4    | <a href="#">20267</a> |             |               | Screw, 10-24 X 3/8 Round                              |
| 5    | <a href="#">03815</a> |             |               | Lockwasher, No.10 Ext Shk                             |
| 6    | 03673                 |             | Not Available | NUT   |
| 7    | Y00000000             |             | Not Available | SEE NOTE CUT AND REMOVE WIRE GUARDS                   |
| 8    | Y00000000             |             | Not Available | SEE NOTE DRYER EXHAUST ELBOW -- (SUPPLIED WITH DRYER) |
| NI   | 143P3                 |             | Not Available | REAR EXHAUST DEFLECTOR KIT                            |