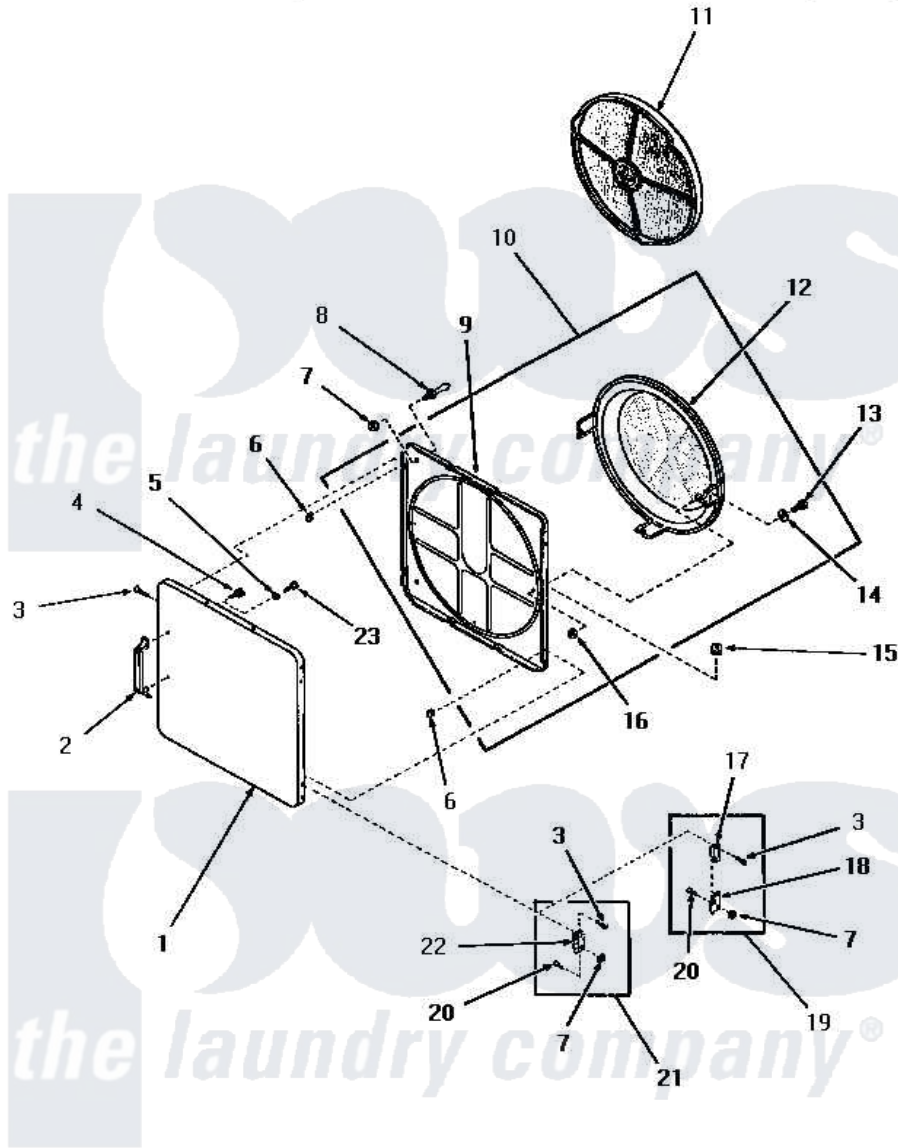


Amana DG3341 17 - LOADING DOOR



LOADING DOOR (Through Serial Nos. 31V9368 and 566Y580)

Amana [Residential Amana DG3341 Washer Parts](#) Parts Diagram 17 - LOADING DOOR
Click on the part number to view part

| Item | Original Part Number | Replaced By | Status | Part Description |
|------|-----------------------|------------------------|---------------|--------------------------------|
| 1 | 52489W | | Not Available | OUTER DOOR PANEL, WHITE |
| " | 52489H | | Not Available | OUTER DOOR PANEL, HARVEST GOLD |
| " | 52489C | | Not Available | OUTER DOOR PANEL, COPPERTONE |
| " | 52489A | | Not Available | OUTER DOOR PANEL, AVOCADO |
| 2 | 54068 | 61925 | | Pull Door Commercial Black |
| 3 | 52864 | 500226 | | Screw, 8b-16 x 5/8 Tap |
| 4 | 52150 | 489464 | | Screw |
| 5 | Y20278 | | Not Available | LOCKWASHER |
| 6 | 52865 | | Not Available | SPEED NUT |
| 7 | 51236 | 488130 | | Nut |
| 8 | 51992 | | | Strike, Door |
| 9 | 54730 | | Not Available | INNER DOOR PANEL |
| 10 | 54738 | | Not Available | ASSY,HOUSING & PANEL |
| 11 | 53002 | | Not Available | NO LONGER AVAILABLE |

| | | | | |
|----|-----------------------|--------------------------|---------------|---|
| 12 | 54731 | 54-731 | | Bake Element |
| 13 | 24688 | | Not Available | CAP SCREW |
| 14 | Q6275 | | Not Available | WASHER |
| 15 | 51858 | | | Grommet |
| 16 | 52566 | 27001225 | | Nut, Jam Mid Lock 1/4-20 |
| 17 | Y0053944 | D7772202 | | Air Duct. Bottom |
| 18 | Y0053945 | D7772101 | | Shield-Light |
| 19 | Y00000000 | | Not Available | SEE NOTE MODELS DG3350, DG3300, DG3250 AND DG3240 |
| 20 | 22649 | | | Screw, 8-32 X 13/32 FI |
| 21 | Y00000000 | | Not Available | SEE NOTE ALL OTHER MODELS |
| 22 | 70014 | | | Hinge |
| 23 | 22024 | 20001169 | | 22024 24 |

