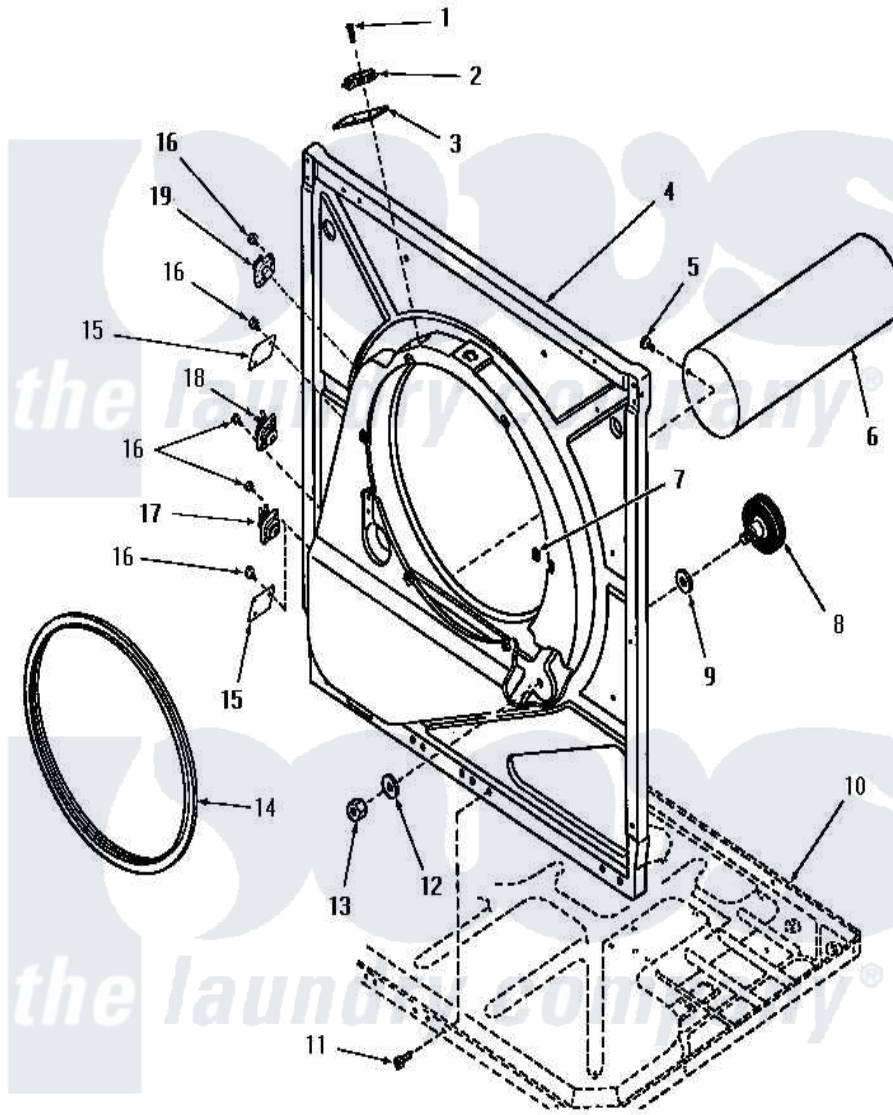


# Amana DG3630 14 - FRONT FRAME & AIR SHROUD



**FRONT FRAME AND AIR SHROUD**

Amana Residential Amana DG3630 Washer Parts Parts Diagram 14 - FRONT FRAME & AIR SHROUD  
 Click on the part number to view part

Item	Original Part Number	Replaced By	Status	Part Description
1	<a href="#">51783</a>			Screw, 6b-20 X 7/8 HeX
2	Y51143		Not Available	SWITCH
3	<a href="#">52112</a>			Insulation
4	51850		Not Available	FRONT FRAME AND AIR SHROUD
5	52150	<a href="#">489464</a>		Screw
6	51821		Not Available	EXHAUST DUCT
7	52865		Not Available	SPEED NUT
8	53555	<a href="#">56285</a>		Roller Cylinder
9	<a href="#">52123</a>			Washer
10	Y00000000		Not Available	SEE NOTE FRAME BASE
11	51784		Not Available	SCREW,10B-16 X 1/2 HEX
12	<a href="#">52122</a>			Washer
13	52124		Not Available	NUT
14	51798		Not Available	GASKET
15	52550		Not Available	COVER PLATE
16	23222	<a href="#">3177991</a>		Screw

17 51987

Not Available

THERMOSTAT

18 [Y52394](#)

Thermostat

19 [53708](#)

Thermostat

