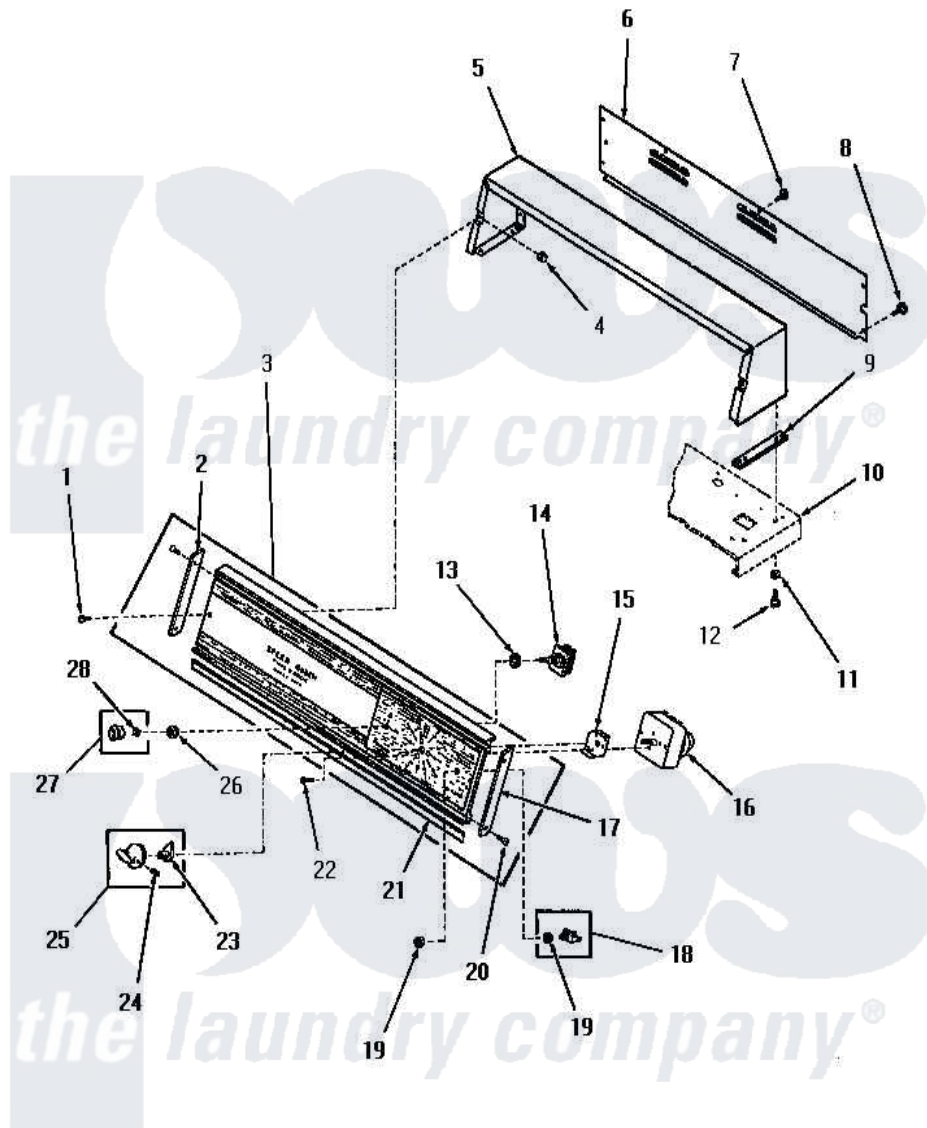


# Amana DG3681 10 - CONTROL PANEL, CONTROL HOOD & CONTROLS



## CONTROL PANEL, CONTROL HOOD AND CONTROLS

Amana [Residential Amana DG3681 Washer Parts](#) Parts Diagram 10 - CONTROL PANEL, CONTROL HOOD & CONTROLS

[Click on the part number to view part](#)

| Item | Original Part Number  | Replaced By             | Status        | Part Description              |
|------|-----------------------|-------------------------|---------------|-------------------------------|
| 1    | 25232                 |                         | Not Available | SCREW,8AB-18X7/8 OVAL         |
| 2    | 25072                 |                         | Not Available | END CAP, LEFT                 |
| 3    | 0055529               |                         | Not Available | RETAINER                      |
| "    | 54986                 |                         | Not Available | CONTROL PANEL                 |
| 4    | <a href="#">54038</a> |                         |               | NUT, Speed U-Type             |
| 5    | 52530W                |                         | Not Available | CONTROL HOOD, WHITE           |
| "    | 52530H                |                         | Not Available | CONTROL HOOD, HARVEST GOLD    |
| "    | 52530A                |                         | Not Available | CONTROL HOOD, AVOCADO         |
| 6    | 52539GR               |                         | Not Available | CONTROL HOOD REAR COVER, GRAY |
| 7    | 23222                 | <a href="#">3177991</a> |               | Screw                         |
| 8    | 25724                 |                         | Not Available | HEX HEAD SCREW                |
| 9    | 23028                 |                         | Not Available | GASKET,CONTROL BOX END        |
| 10   | Y00000000             |                         | Not Available | SEE NOTE CABINET TOP          |
| 11   | <a href="#">20493</a> |                         |               | Washer, 11/64 ID x 3/8 OD     |

|    |                       |                           |                             |
|----|-----------------------|---------------------------|-----------------------------|
| 12 | 23962                 | <a href="#">W10116760</a> | Screw                       |
| 13 | <a href="#">91176</a> |                           | Lockwasher, 3/8 Intshkp     |
| 14 | 53380                 | Not Available             | TEMPERATURE SELECTOR SWITCH |
| 15 | 25966                 | Not Available             | SPACER,TIMER                |
| 16 | 52594                 | Not Available             | TIMER                       |
| 17 | 25073                 | Not Available             | END CAP, RIGHT              |
| 18 | 53768                 | <a href="#">55882P</a>    | Assembly- Switch            |
| 19 | <a href="#">52947</a> |                           | Nut, Hex 15/32-32           |
| 20 | 52864                 | <a href="#">500226</a>    | Screw, 8b-16 x 5/8 Tap      |
| 21 | Y0053880              | Not Available             | ACTUATOR, WATER             |
| 22 | Y0054441              | Not Available             | NAMEPLATE, HANDLE           |
| 23 | 24857                 | Not Available             | INDICATOR                   |
| 24 | 25285                 | Not Available             | SETSCREW                    |
| 25 | 24858                 | Not Available             | ASSY,KNOB-TIMER             |
| 26 | <a href="#">24205</a> |                           | Nut, Knurled 3/8-24         |
| 27 | 22245                 | Not Available             | xREPLACE                    |
| 28 | 22244                 | Not Available             | CLIP,C xREPLACE             |

