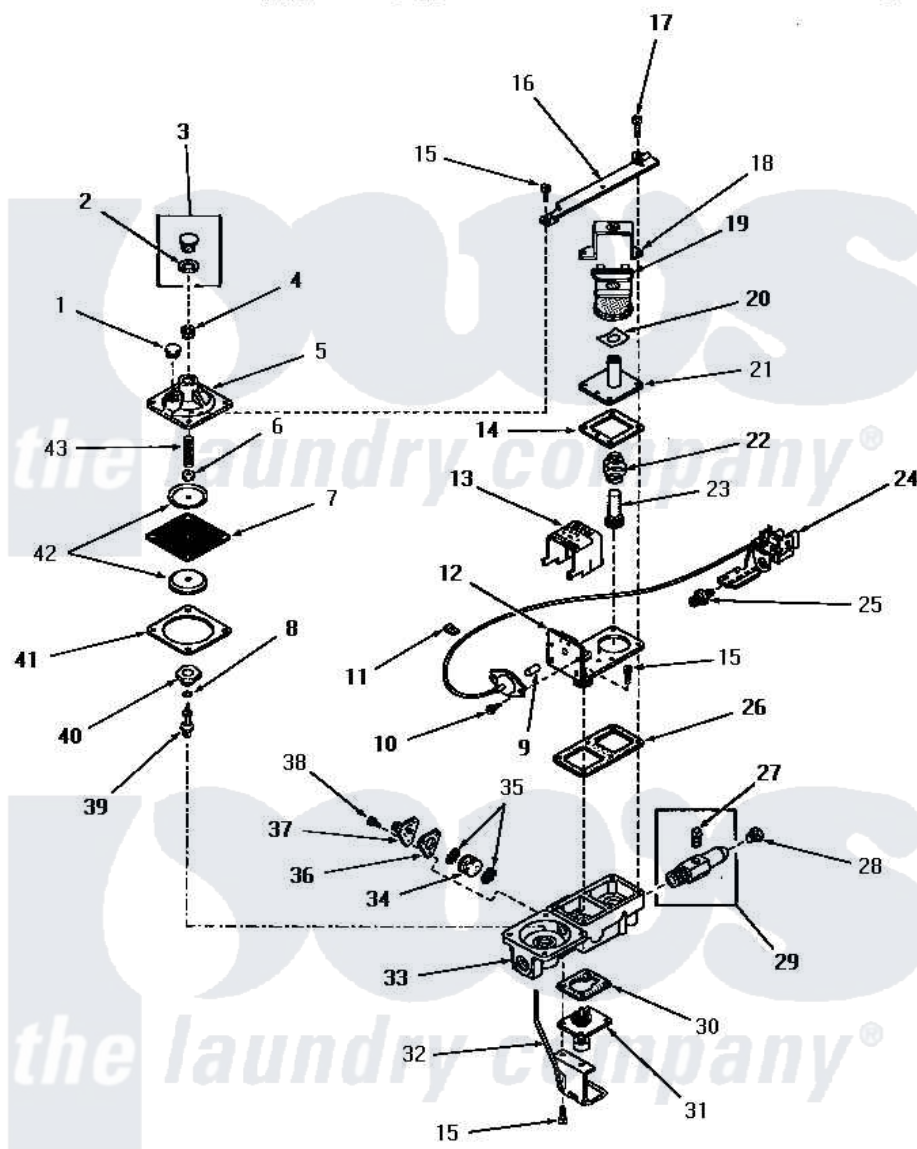


# Amana DG6090 15 - GAS VALVE (NAT. / MIXED GAS)



**GAS VALVE (NAT./MIXED GAS)**

Amana [Residential Amana DG6090 Washer Parts](#) Parts Diagram 15 - GAS VALVE (NAT. / MIXED GAS)

[Click on the part number to view part](#)

Item	Original Part Number	Replaced By	Status	Part Description
1	54477		Not Available	CAP,VENT
2	0054474		Not Available	USE D7425607
3	Y0054476	<a href="#">D7431921Q</a>		Gasket
4	54486C		Not Available	REGULATOR SCREW
5	51402Q		Not Available	REGULATOR COVER
6	51402V		Not Available	NUT
7	51402X		Not Available	DIAPHRAGM
8	51402Y		Not Available	GASKET
9	54486Z		Not Available	ACTUATING PIN
10	54486K		Not Available	SCREW
11	54486N		Not Available	CLAMP
12	54486D		Not Available	PILOT VALVE LATCH AND PLATE
13	54486G		Not Available	LATCH COVER
14	54486T		Not Available	GASKET
15	54486J		Not Available	SCREW
16	54485		Not Available	MOUNTING BRACKET

17	54486L	Not Available	SCREW
18	54486F	Not Available	COIL HOLD-DOWN BRACKET
19	54486A	Not Available	COIL,BURNER
20	51402G	Not Available	LEAF SPRING
21	54486U	Not Available	PLUNGER GUIDE
22	51999E	Not Available	SPRING
23	54486M	Not Available	PLUNGER
24	54484	Not Available	PILOT BURNER
25	54473	Not Available	ORIFICE,PILOT
26	54486R	Not Available	GASKET
27	<a href="#">20247</a>		Plug, Pipe
28	51209	Not Available	ORIFICE,NG
29	0054480	Not Available	NET-PAN,DRAIN
30	54486S	Not Available	GASKET
31	54486Q	Not Available	RESET VALVE
32	54486E	Not Available	RESET LEVER AND BRACKET
33	54486B	Not Available	VALVE BODY
34	54486Y	Not Available	FILTER
35	54486X	Not Available	FILTER SCREEN
36	54486W	Not Available	GASKET
37	54486P	Not Available	OUTLET
38	54486H	Not Available	SCREW
39	51402AB	Not Available	REGULATOR PIN
40	51402AA	Not Available	REGULATOR PIN SEAT
41	51402Z	Not Available	GASKET
42	51402W	Not Available	DIAPHRAGM PLATE
43	51402U	Not Available	REGULATOR SPRING

*the laundry company*<sup>®</sup>

**Howes**  
*the laundry company*<sup>®</sup>