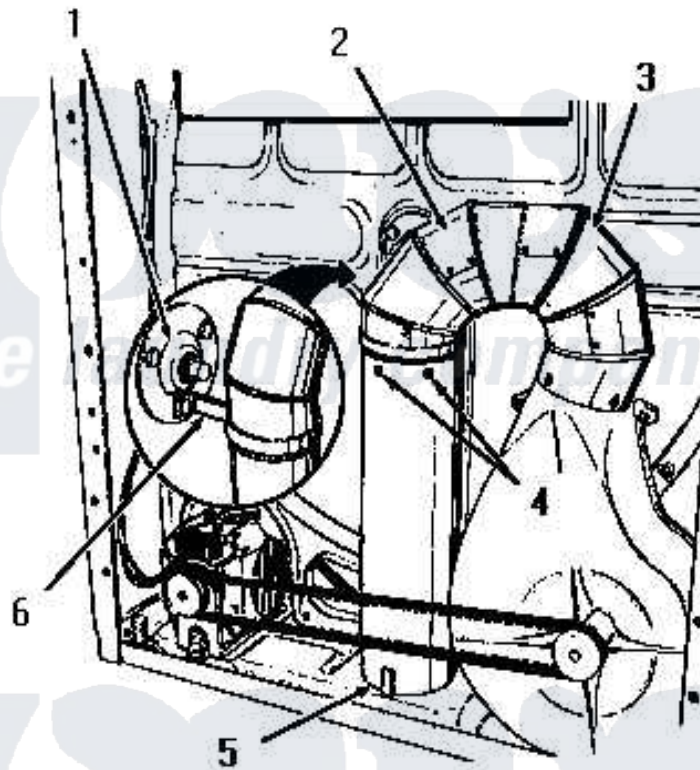


Amana DG6181 04 - 160P3 BOTTOM EXHAUST DEFLECTOR KIT



160P3 BOTTOM EXHAUST DEFLECTOR KIT

Amana [Residential Amana DG6181 Washer Parts](#) Parts Diagram 04 - 160P3 BOTTOM EXHAUST DEFLECTOR KIT
 Click on the part number to view part

| Item | Original Part Number | Replaced By | Status | Part Description |
|------|----------------------|-------------------------|---------------|-------------------------------------------------------|
| 1 | Y00000000 | | Not Available | SEE NOTE BEARING RETAINER |
| 2 | 52699 | | Not Available | SHORT 90 DEGREES ELBOW |
| 3 | Y00000000 | | Not Available | SEE NOTE DRYER EXHAUST ELBOW -- (SUPPLIED WITH DRYER) |
| 4 | 23222 | 3177991 | | Screw |
| 5 | 52698 | | Not Available | EXHAUST TUBE |
| 6 | 0052775 | 0057344 | | Suptop Burner |
| NI | 160P3 | | Not Available | BOTTOM EXHAUST DEFLECTOR KIT |