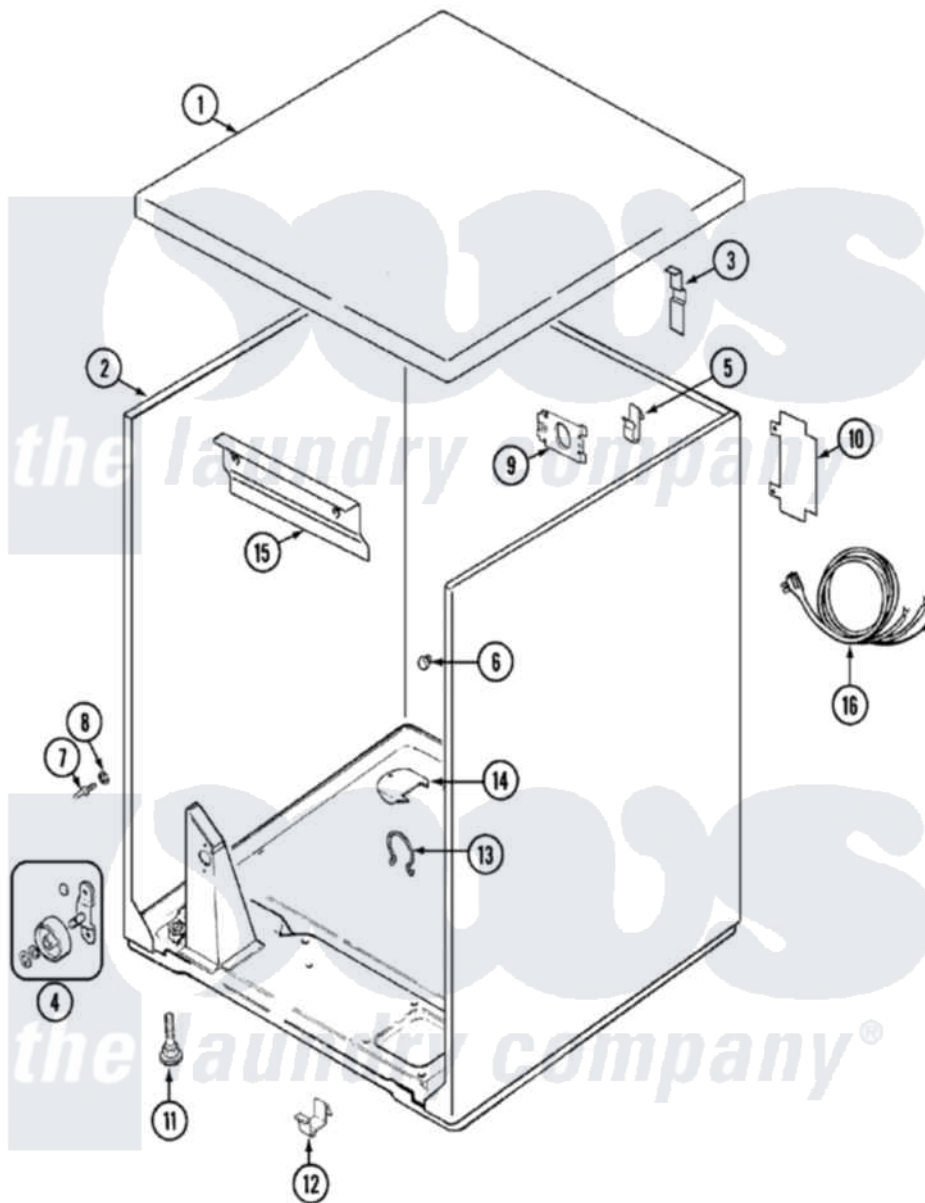


Amana DLE231RAW 01 - CABINET



Amana Residential Amana DLE231RAW Dryer Parts Parts Diagram 01 - CABINET
 Click on the part number to view part

| Item | Original Part Number | Replaced By | Status | Part Description |
|------|--------------------------|--------------------------|---------------|---|
| 1 | 31001423 | | | Top, Cabinet |
| 2 | 53-2559 | 31001714 | | Cabinet And Base Assembly |
| 3 | 63-5712 | | | Hinge, Cabinet Top |
| " | 25-3092 | 90767 | | Screw, 8A X 3/8 HeX Washer Head Tapping |
| 4 | LA-1007 | 12002126 | | Reinforcement Brace/Glide Kit |
| " | LA-1008 | | | Rr Roller Kit |
| 5 | 25-3034 | | | Clip, Wiring |
| 6 | 33-2653 | | | Bumper, Cabinet |
| 7 | 53-0643 | | | Pin, Locator |
| 8 | 53-0200 | | | Sleeve, Locator Pin |
| " | 25-0224 | 3400029 | | Nut, Adapter Plate |
| 9 | 25-7828 | 489483 | | Screw 10-32 X 1/2 |
| " | 53-0135 | | Not Available | SUPPORT, POWER CORD |
| 10 | 25-7857 | 90767 | | Screw, 8A X 3/8 HeX Washer Head Tapping |
| " | 53-0284 | | | Cover, Terminal |

| | | | |
|----|-------------------------|---------------------------|-------------------|
| 11 | 63-5519 | Not Available | LEG, LEVELING |
| 12 | 53-0120 | | Clip, Front Panel |
| 13 | 31001320 | 16515 | Clip |
| 14 | 25-7741 | W10116760 | Screw |
| " | 53-1921 | | Shield, Wiring |
| 15 | 25-3457 | | Screw, Sems |
| " | 53-0133 | | Shield, Heat |

