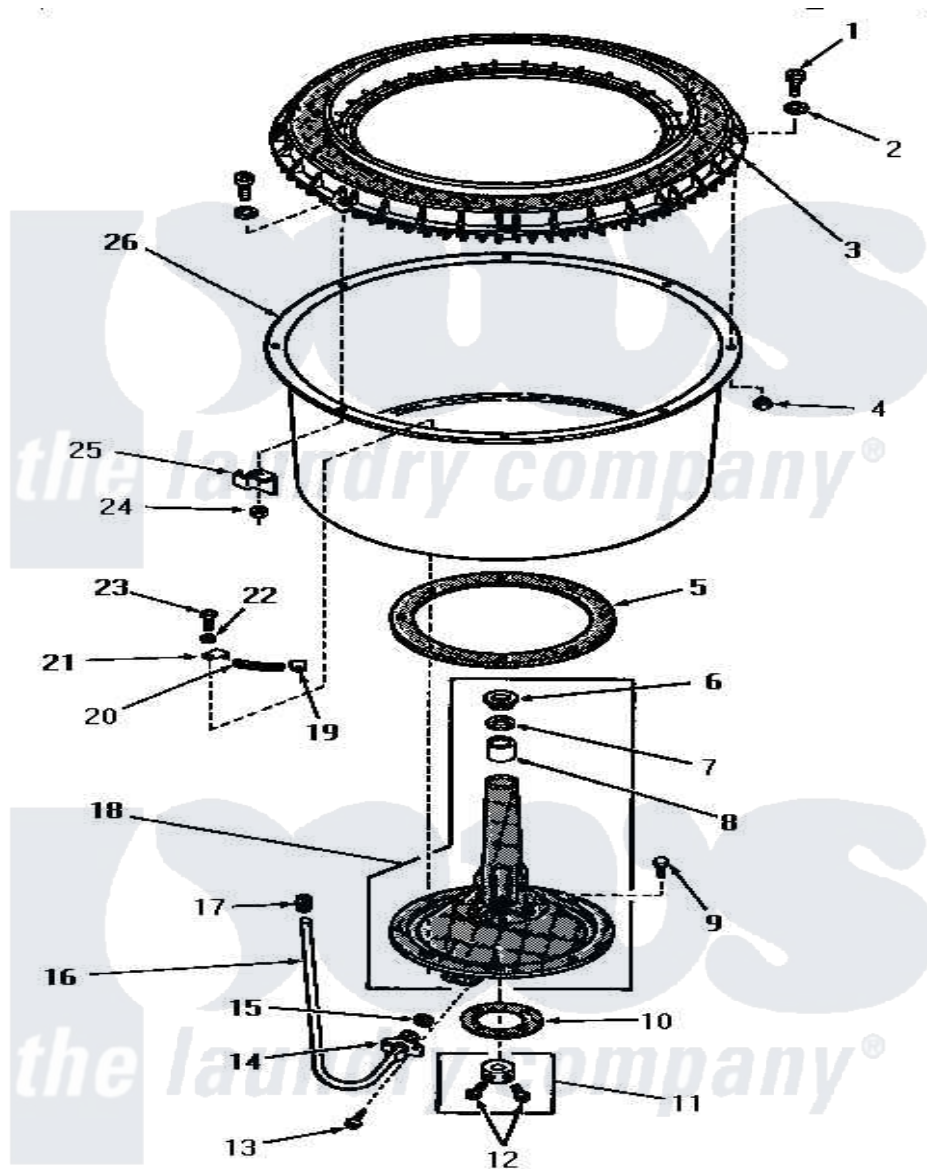


Amana FA3040 03 - AGITATOR POST & SPIN TUB



AGITATOR POST AND SPIN TUB

Amana [Residential Amana FA3040 Washer Parts](#) Parts Diagram 03 - AGITATOR POST & SPIN TUB
 Click on the part number to view part

Item	Original Part Number	Replaced By	Status	Part Description
1	25251	E225251		25 x 25 x 1 Filter 1 Metal Side
2	25100			Washer, 17/64 ID x 1/2 OD
3	24931		Not Available	BALANCE RING
4	25250			Nut, 1/4-20 Hex Nyllock
5	20122			Gasket
6	23685			Bearing
7	23684			Seal
8	23686			Bearing
9	20261			Screw, Cap
10	20120			Gasket
11	20377			Collar Assembly
12	23481	02422		Screw, 1/4-20 X 1/2 HeX
13	20852		Not Available	SCREW, 10-24 X 1/2 HEX
14	26046			Bracket, Sediment Tube
15	20110			Gasket
16	22359			Tube, Sediment

17	22361		Sleeve
18	23993	Not Available	ASSY,CENTER COLUMN
19	22446		Clip
20	22144		Spring
21	22447		Clip
22	20121	Not Available	GASKET
23	20260		Screw, 5/16-18 X 3/4 RD
24	26678		Nut, Self-Locking
25	22025		Bracket
26	26909		Tub, Spin-Blue And White
NI	243P3	Not Available	KIT,AGITATOR POST

