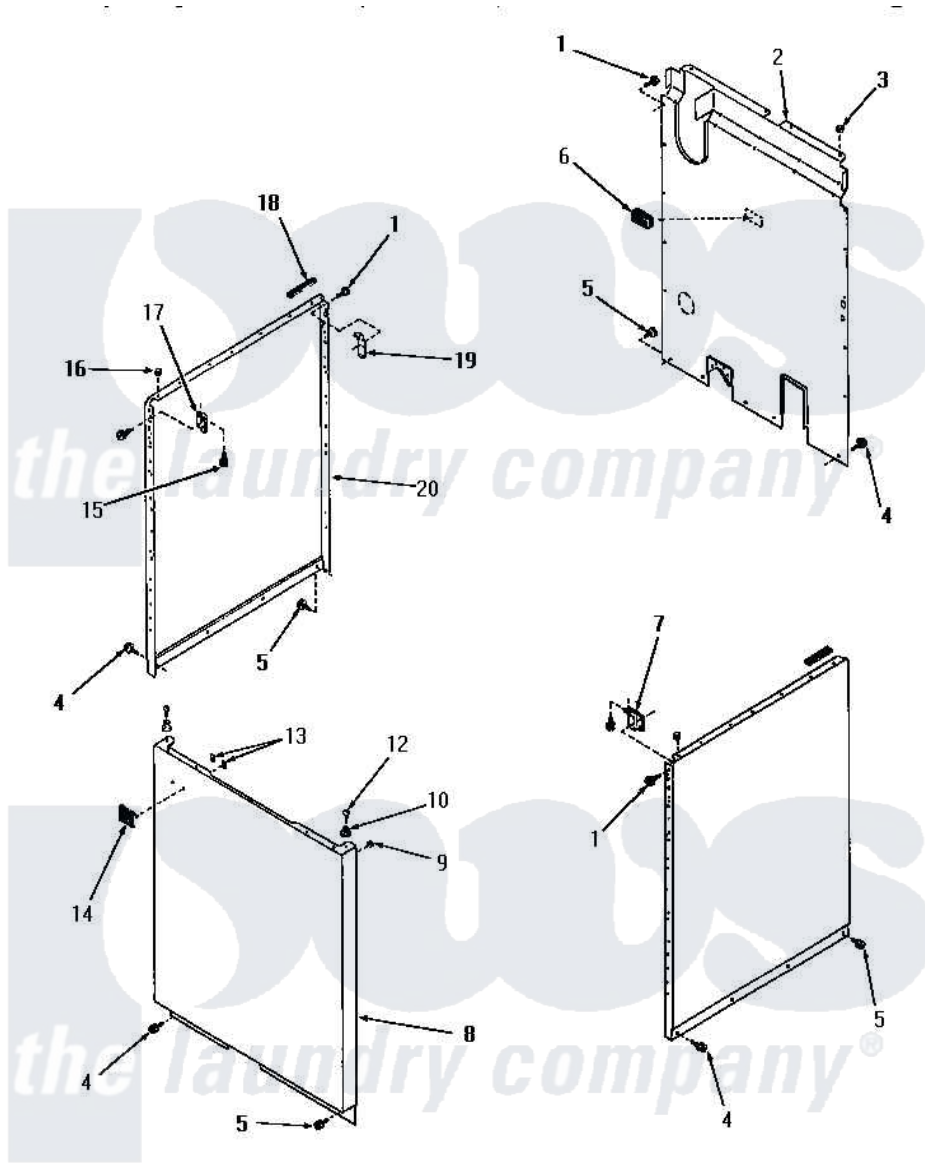


Amana FA3040 15 - PANELS



PANELS

Amana [Residential Amana FA3040 Washer Parts](#) Parts Diagram 15 - PANELS

[Click on the part number to view part](#)

Item	Original Part Number	Replaced By	Status	Part Description
1	51784		Not Available	SCREW,10B-16 X 1/2 HEX
2	24342GR		Not Available	REAR PANEL, GRAY
3	20387			Bumper
4	26592		Not Available	HEX HEAD SCREW
5	26415	27001200		Screw
6	23257		Not Available	PAD,BUMPER
7	26690		Not Available	BRACKET,HOLD DOWN-R.H.
8	24687W		Not Available	FRONT PANEL, WHITE
"	24687H		Not Available	FRONT PANEL, HARVEST GOLD
"	24687A		Not Available	FRONT PANEL, AVOCADO
"	24687C		Not Available	FRONT PANEL, COPPERTONE
9	20387			Bumper
10	23020		Not Available	MOUNT,PANEL
12	Q6535		Not Available	SCREW,10B-16 X 3/4 ROU
13	22161		Not Available	CLIP

14	22086	Not Available	MONOGRAM
15	23008		Screw, 10-24 X 3/4 Sems
16	21176		Bumper
17	26691	Not Available	BRACKET,HOLD DOWN-L.H.
18	80312		Bumper Pad
19	52487		Lug, Hold-Down
20	24336H	Not Available	SIDE PANEL, RIGHT OR LEFT, HAR
"	24336A	Not Available	SIDE PANEL, RIGHT OR LEFT, AVO
"	24336W	Not Available	xREPLACE
"	24336C	Not Available	SIDE PANEL, RIGHT OR LEFT, COP

Howes
the laundry company®

Howes
the laundry company®

Howes
the laundry company®