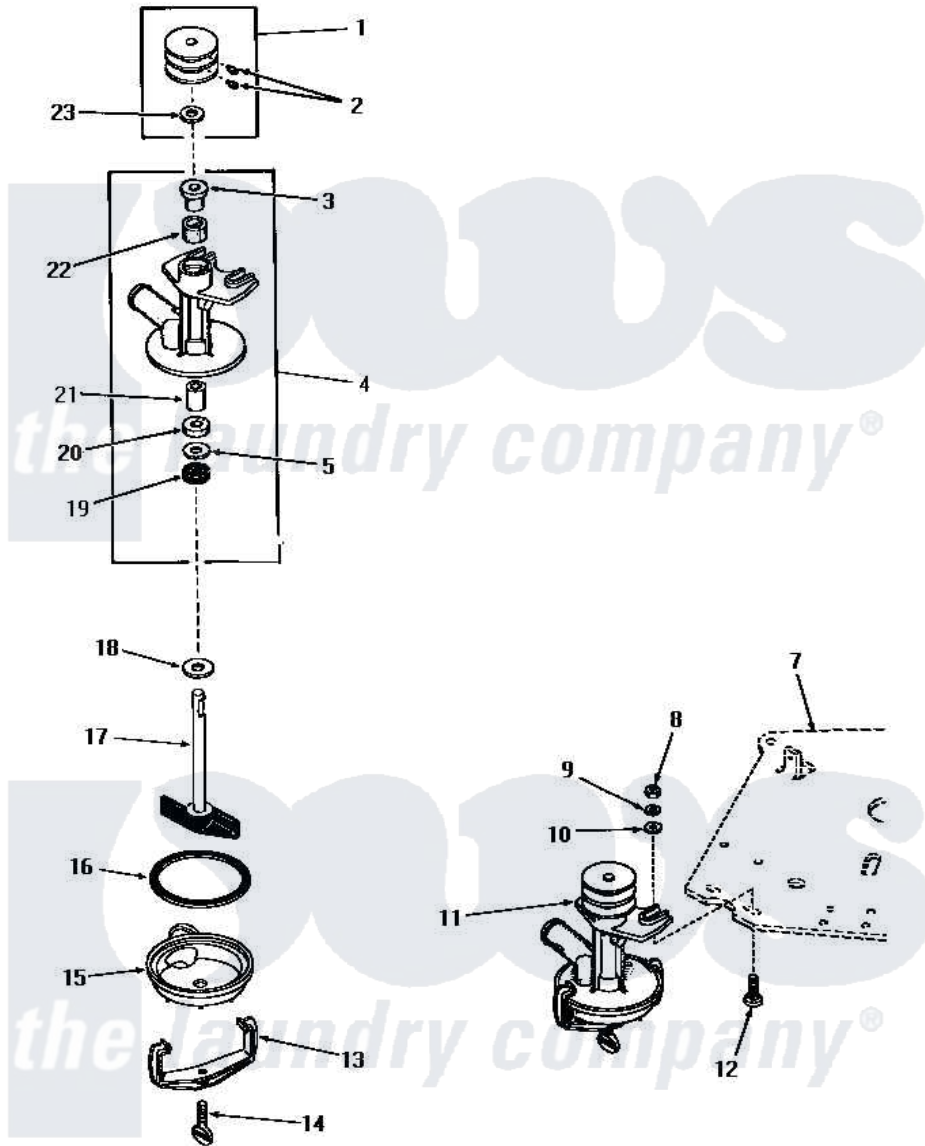


# Amana FA3510 17 - PUMP ASSY



## PUMP ASSEMBLY

Amana [Residential Amana FA3510 Washer Parts](#) Parts Diagram 17 - PUMP ASSY

[Click on the part number to view part](#)

Item	Original Part Number	Replaced By	Status	Part Description
1	23770		Not Available	ASSY,PULLEY
2	<a href="#">02771</a>			Screw, 1/4-20 x 3/8 Hex S
3	<a href="#">20072</a>			Bearing
4	20763		Not Available	PUMP BODY
5	<a href="#">20093</a>			Washer, 29/64 ID x 63/64 OD
7	Y00000000		Not Available	SEE NOTE MOUNTING PLATE
8	20275	<a href="#">27001225</a>		Nut, Jam Mid Lock 1/4-20
9	<a href="#">03189</a>			LoCkwasher, 1/4 Std-C P
10	<a href="#">20176</a>			Washer, .2656 ID x 9/16 OD
11	25178		Not Available	ASSY,PUMP
12	<a href="#">24390</a>			Bolt
13	<a href="#">20066</a>			Clamp, Pump
14	<a href="#">20161</a>			Screw, 5/16-18 X 1-1/16
15	04316		Not Available	BOTTOM,PUMP
16	20097		Not Available	GASKET
17	04372		Not Available	ASSY,IMPELLER

18	<a href="#">20099</a>		Washer, .440idx1.125odx
19	<a href="#">20095</a>		Seal
20	<a href="#">20094</a>		Packing Material
21	<a href="#">20071</a>		Bearing
22	<a href="#">26479</a>		Wick
23	26919	Not Available	WASHER,PUMP PULLEY
NI	<a href="#">131P3</a>		Kit, Pump Kt85

