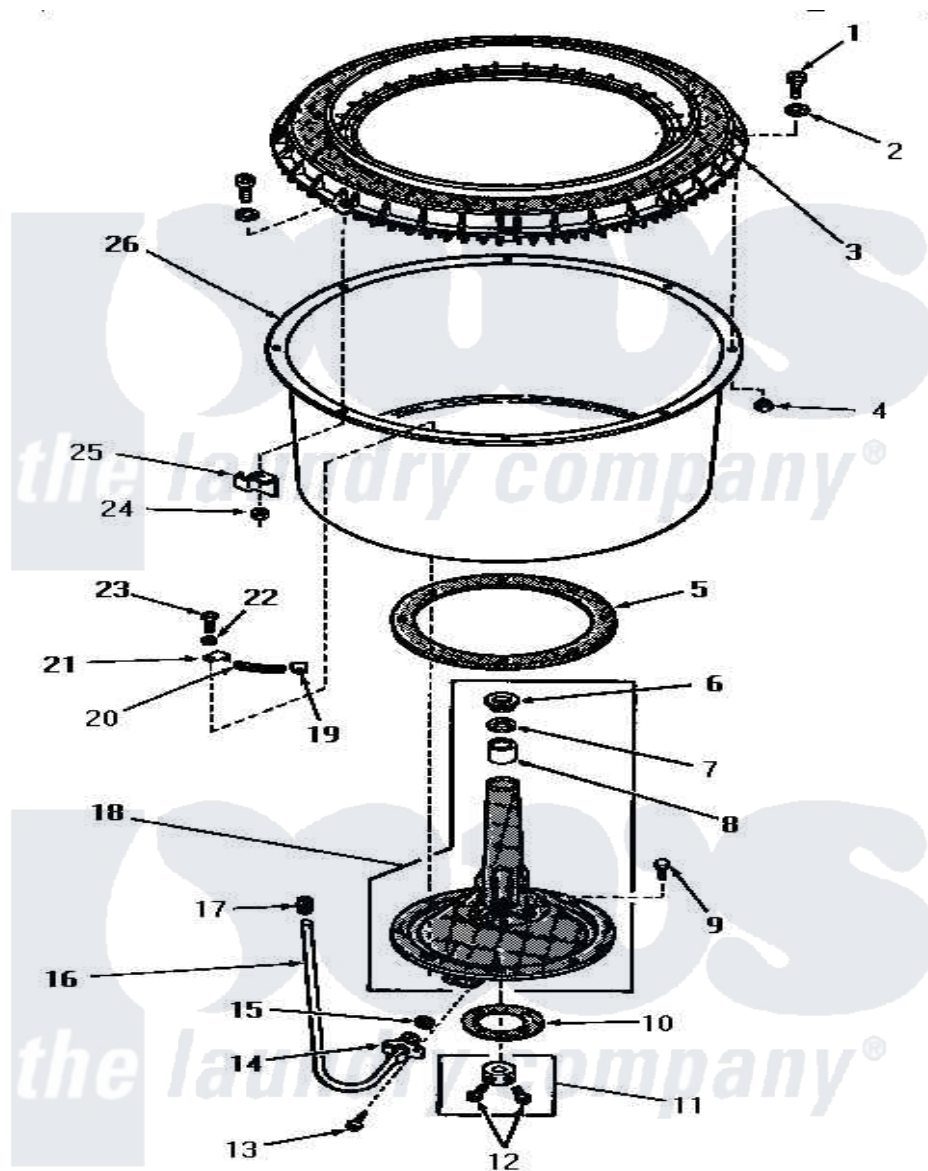


Amana FA3820 03 - AGITATOR POST & SPIN TUB



AGITATOR POST AND SPIN TUB

Amana [Residential Amana FA3820 Washer Parts](#) Parts Diagram 03 - AGITATOR POST & SPIN TUB
 Click on the part number to view part

| Item | Original Part Number | Replaced By | Status | Part Description |
|------|-----------------------|-------------------------|---------------|---------------------------------|
| 1 | 25251 | EZ25251 | | 25 x 25 x 1 Filter 1 Metal Side |
| 2 | 25100 | | | Washer, 17/64 ID x 1/2 OD |
| 3 | 24931 | | Not Available | BALANCE RING |
| 4 | 25250 | | | Nut, 1/4-20 Hex Nyllock |
| 5 | 20122 | | | Gasket |
| 6 | 23685 | | | Bearing |
| 7 | 23684 | | | Seal |
| 8 | 23686 | | | Bearing |
| 9 | 20261 | | | Screw, Cap |
| 10 | 20120 | | | Gasket |
| 11 | 20377 | | | Collar Assembly |
| 12 | 23481 | 02422 | | Screw, 1/4-20 X 1/2 HeX |
| 13 | 20852 | | Not Available | SCREW,10-24 X 1/2 HEX |
| 14 | 26046 | | | Bracket, Sediment Tube |
| 15 | 20110 | | | Gasket |
| 16 | 25980 | | | Tube, Sediment |

| | | | |
|----|-----------------------|------------------------|--------------------------|
| 17 | 22361 | | Sleeve |
| 18 | 26016 | 2-6016 | Wheel 71/2x6 |
| 19 | 22446 | | Clip |
| 20 | 22144 | | Spring |
| 21 | 22447 | | Clip |
| 22 | 20121 | Not Available | GASKET |
| 23 | 20260 | | Screw, 5/16-18 X 3/4 RD |
| 24 | 26678 | | Nut, Self-Locking |
| 25 | 22025 | | Bracket |
| 26 | 26910 | | Tub, Spin-Blue Porcelain |
| NI | 243P3 | Not Available | KIT,AGITATOR POST |

