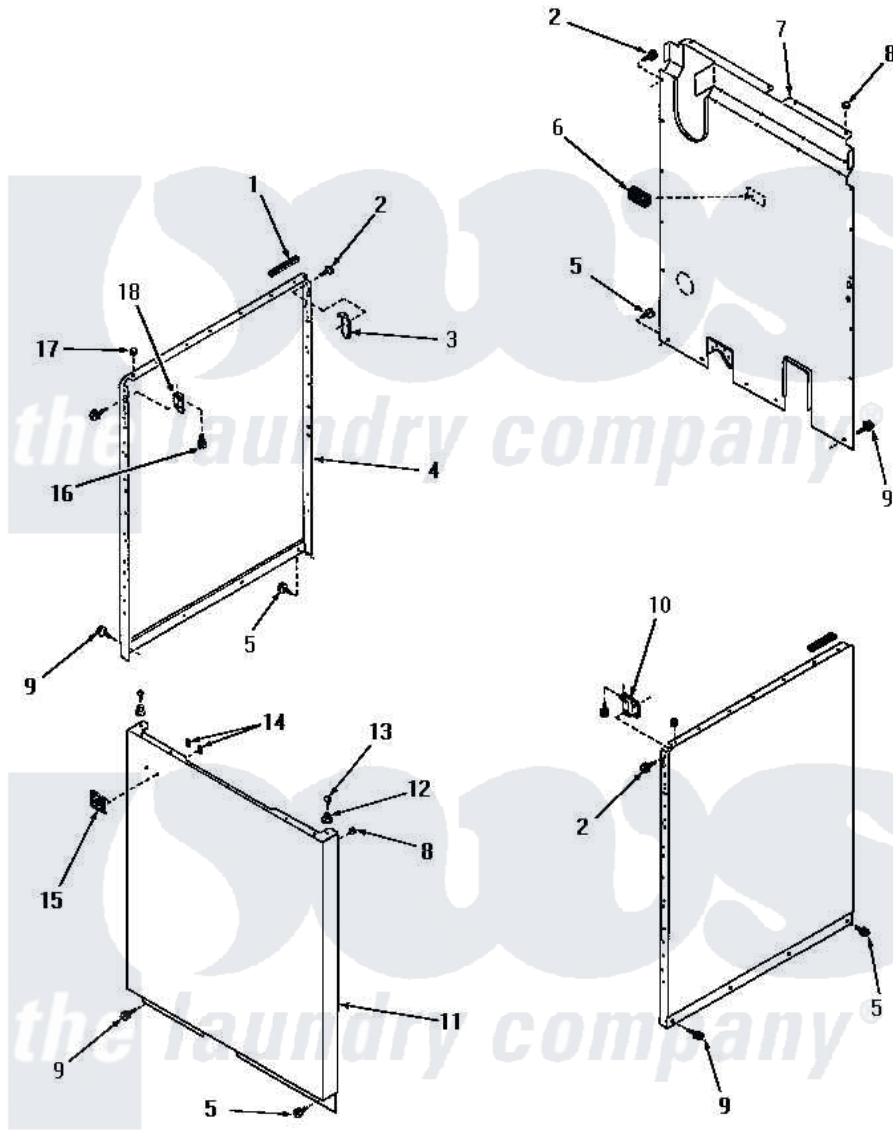


# Amana FA3820 15 - PANELS



## PANELS

Amana [Residential Amana FA3820 Washer Parts](#) Parts Diagram 15 - PANELS

[Click on the part number to view part](#)

Item	Original Part Number	Replaced By	Status	Part Description
1	<a href="#">80312</a>			Bumper Pad
2	51784		Not Available	SCREW,10B-16 X 1/2 HEX
3	<a href="#">52487</a>			Lug, Hold-Down
4	24336C		Not Available	SIDE PANEL, RIGHT OR LEFT, COP
"	24336H		Not Available	SIDE PANEL, RIGHT OR LEFT, HAR
"	24336A		Not Available	SIDE PANEL, RIGHT OR LEFT, AVO
"	24336W		Not Available	xREPLACE
5	26415	<a href="#">27001200</a>		Screw
6	23257		Not Available	PAD,BUMPER
7	24342GR		Not Available	REAR PANEL, GRAY
8	<a href="#">20387</a>			Bumper
9	26592		Not Available	HEX HEAD SCREW
10	26690		Not Available	BRACKET,HOLD DOWN-R.H.
11	24687A		Not Available	FRONT PANEL, AVOCADO

"	24687H	Not Available	FRONT PANEL, HARVEST GOLD
"	24687C	Not Available	FRONT PANEL, COPPERTONE
"	24687W	Not Available	FRONT PANEL, WHITE
12	23020	Not Available	MOUNT,PANEL
13	Q6535	Not Available	SCREW,10B-16 X 3/4 ROU
14	22161	Not Available	CLIP
15	22086	Not Available	MONOGRAM
16	<a href="#">23008</a>		Screw, 10-24 X 3/4 Sems
17	<a href="#">21176</a>		Bumper
18	26691	Not Available	BRACKET,HOLD DOWN-L.H.

**Howes**  
*the laundry company*<sup>®</sup>

**Howes**  
*the laundry company*<sup>®</sup>

**Howes**  
*the laundry company*<sup>®</sup>