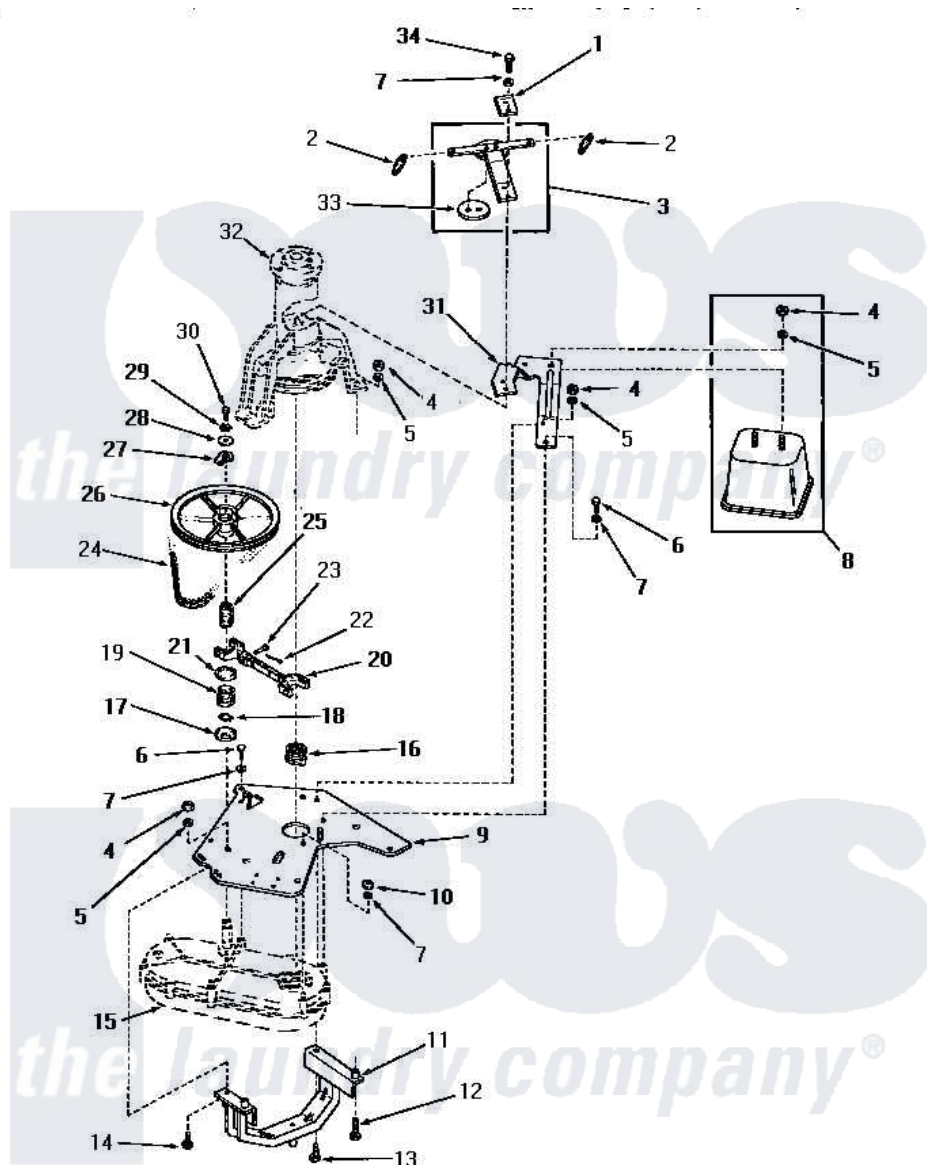


# Amana FA4160 08 - CBAL WEIGHT, BRKT, MTG PLT & TRANS



**COUNTERBALANCE WEIGHT, BRACKET,  
MOUNTING PLATE AND TRANSMISSION BELT**

Amana [Residential Amana FA4160 Washer Parts](#) Parts Diagram 08 - CBAL WEIGHT, BRKT, MTG PLT & TRANS  
Click on the part number to view part

| Item | Original Part Number  | Replaced By              | Status        | Part Description               |
|------|-----------------------|--------------------------|---------------|--------------------------------|
| 1    | <a href="#">22614</a> |                          |               | Plate, Support                 |
| 2    | <a href="#">23632</a> |                          |               | Spring                         |
| 3    | <a href="#">20168</a> |                          |               | Assembly, Snubber              |
| 4    | 20274                 | <a href="#">62739</a>    |               | Nut, Lock                      |
| 5    | <a href="#">20277</a> |                          |               | Lockwasher, 3/8 Std X 3        |
| 6    | <a href="#">20264</a> |                          |               | Screw, 1/4-20 X 2 HeX H        |
| 7    | <a href="#">03189</a> |                          |               | LoCkwasher, 1/4 Std-C P        |
| 8    | 25230                 |                          | Not Available | COUNTERBALANCE WEIGHT          |
| 9    | 24749                 |                          | Not Available | MOUNTING PLATE                 |
| 10   | 20275                 | <a href="#">27001225</a> |               | Nut, Jam Mid Lock 1/4-20       |
| 11   | 22702                 |                          | Not Available | ASSY,YOKE & SLEEVE             |
| 12   | Y22688                |                          | Not Available | SCREW,CAP-3/8-16X1-1/4         |
| 13   | 20255                 |                          | Not Available | SCREW,3/8-16 X 1 HEX H         |
| 14   | 22687                 |                          | Not Available | SCREW                          |
| 15   | Y00000000             |                          | Not Available | SEE NOTE TRANSMISSION ASSEMBLY |
| 16   | <a href="#">23647</a> |                          |               | Jaw                            |

|    |                       |                       |                         |
|----|-----------------------|-----------------------|-------------------------|
| 17 | 26611                 | Not Available         | RETAINER,SPRING-LOWER   |
| 18 | <a href="#">23751</a> |                       | Ring, Retaining         |
| 19 | <a href="#">26609</a> |                       | Spring                  |
| 20 | <a href="#">23732</a> |                       | Assembly, Shifter Fork  |
| 21 | <a href="#">26610</a> |                       | Retainer, Spring-Upper  |
| 22 | <a href="#">20248</a> |                       | Pin, Cotter             |
| 23 | 23718                 | Not Available         | PIN,SHIFTER             |
| 24 | <a href="#">23758</a> |                       | Belt                    |
| 25 | <a href="#">23644</a> |                       | Hub                     |
| 26 | 23773                 | Not Available         | ASSY,PULLEY-TRANSMISSI  |
| 27 | <a href="#">23643</a> |                       | Pulley Stop             |
| 28 | 23716                 | Not Available         | WASHER                  |
| 29 | Y03421                | Not Available         | LOCKWASHER              |
| 30 | <a href="#">02422</a> |                       | Screw, 1/4-20 X 1/2 HeX |
| 31 | 25139                 | Not Available         | BRACKET                 |
| 32 | Y00000000             | Not Available         | SEE NOTE MAIN BEARING   |
| 33 | 20453                 | Not Available         | DISC,FRICITION          |
| 34 | 24233                 | Not Available         | SCREW,CAP-1/4-20 X 3/4  |
| NI | <a href="#">03200</a> |                       | A-D Drive Lubricant     |
| "  | 285P3                 | <a href="#">23911</a> | Kit Spring              |

