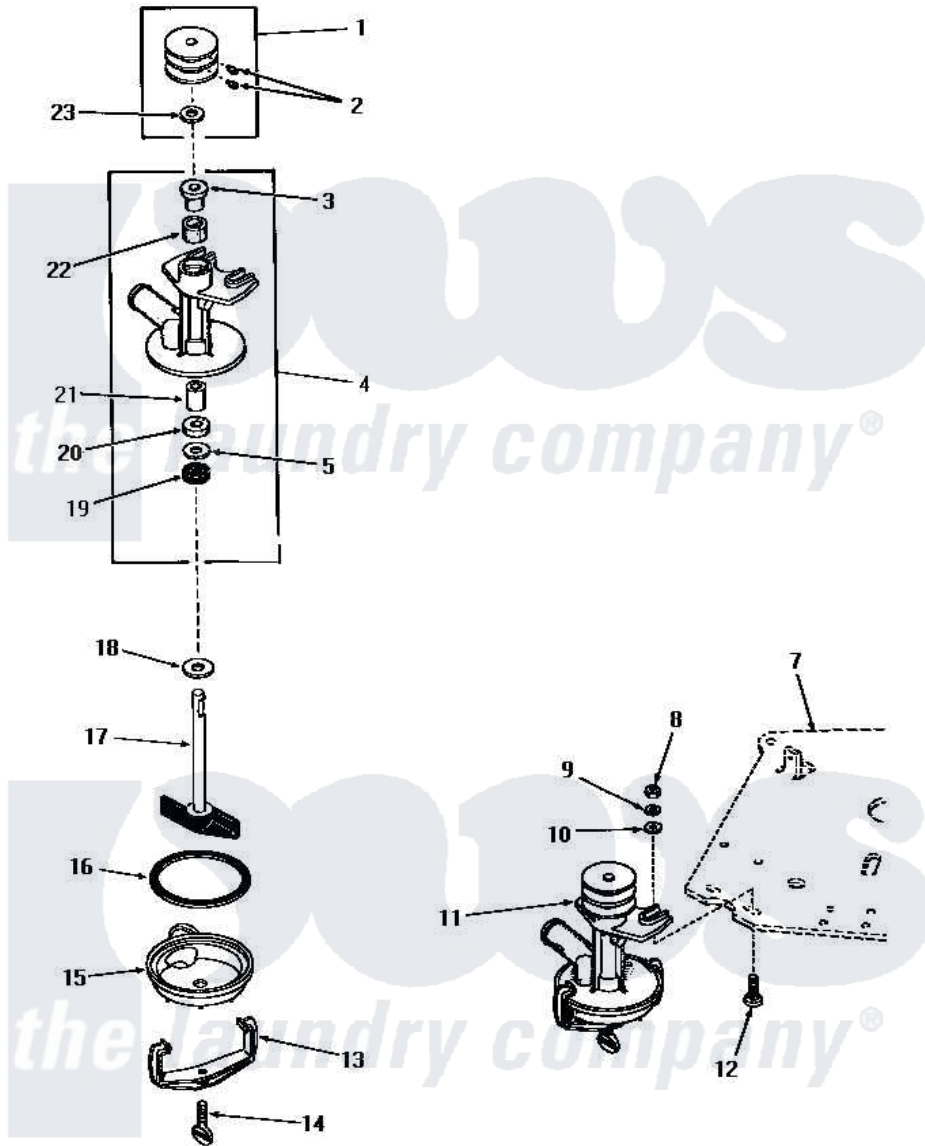


# Amana FA4310 18 - PUMP ASSY



## PUMP ASSEMBLY

Amana [Residential Amana FA4310 Washer Parts](#) Parts Diagram 18 - PUMP ASSY

[Click on the part number to view part](#)

| Item | Original Part Number  | Replaced By              | Status        | Part Description            |
|------|-----------------------|--------------------------|---------------|-----------------------------|
| 1    | 23770                 |                          | Not Available | ASSY,PULLEY                 |
| 2    | <a href="#">02771</a> |                          |               | Screw, 1/4-20 x 3/8 Hex S   |
| 3    | <a href="#">20072</a> |                          |               | Bearing                     |
| 4    | 20763                 |                          | Not Available | PUMP BODY                   |
| 5    | <a href="#">20093</a> |                          |               | Washer, 29/64 ID x 63/64 OD |
| 7    | Y00000000             |                          | Not Available | SEE NOTE MOUNTING PLATE     |
| 8    | 20275                 | <a href="#">27001225</a> |               | Nut, Jam Mid Lock 1/4-20    |
| 9    | <a href="#">03189</a> |                          |               | LoCkwasher, 1/4 Std-C P     |
| 10   | <a href="#">20176</a> |                          |               | Washer, .2656 ID x 9/16 OD  |
| 11   | 25178                 |                          | Not Available | ASSY,PUMP                   |
| 12   | <a href="#">24390</a> |                          |               | Bolt                        |
| 13   | <a href="#">20066</a> |                          |               | Clamp, Pump                 |
| 14   | <a href="#">20161</a> |                          |               | Screw, 5/16-18 X 1-1/16     |
| 15   | 04316                 |                          | Not Available | BOTTOM,PUMP                 |
| 16   | 20097                 |                          | Not Available | GASKET                      |
| 17   | 04372                 |                          | Not Available | ASSY,IMPELLER               |

|    |                       |               |                         |
|----|-----------------------|---------------|-------------------------|
| 18 | <a href="#">20099</a> |               | Washer, .440idx1.125odx |
| 19 | <a href="#">20095</a> |               | Seal                    |
| 20 | <a href="#">20094</a> |               | Packing Material        |
| 21 | <a href="#">20071</a> |               | Bearing                 |
| 22 | <a href="#">26479</a> |               | Wick                    |
| 23 | 26919                 | Not Available | WASHER,PUMP PULLEY      |
| NI | <a href="#">131P3</a> |               | Kit, Pump Kt85          |

