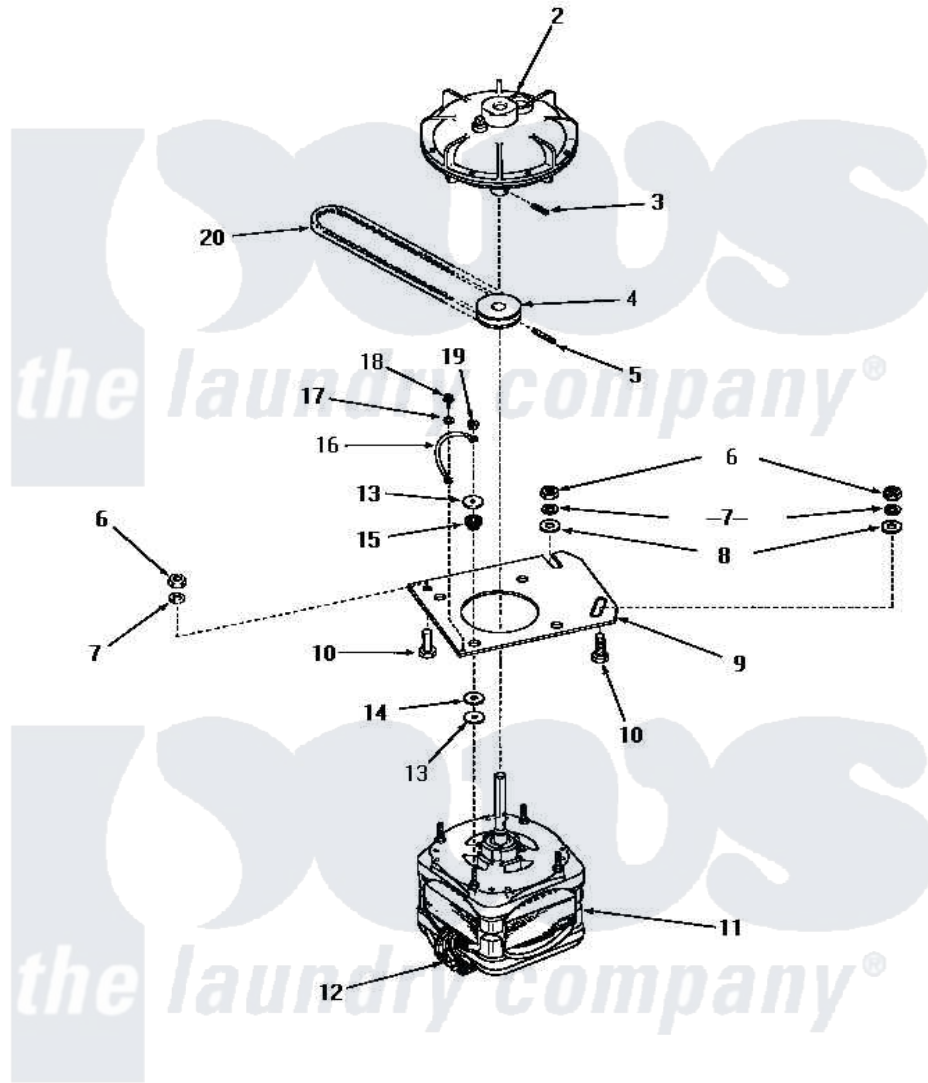


Amana FA6010 15 - MOTOR, FLUID DRIVE & PUMP BELT



MOTOR, FLUID DRIVE AND PUMP BELT

Amana [Residential Amana FA6010 Washer Parts](#) Parts Diagram 15 - MOTOR, FLUID DRIVE & PUMP BELT
 Click on the part number to view part

| Item | Original Part Number | Replaced By | Status | Part Description |
|------|-----------------------|--------------------------|---------------|------------------------------|
| 2 | 24706 | | | Assembly, Fluid Drive |
| 3 | 24703 | | Not Available | PIN,ROLL |
| 4 | 26116 | | | Pulley, Drive |
| 5 | 23750 | | | Pin, Roll |
| 6 | 20274 | 62739 | | Nut, Lock |
| 7 | 20277 | | | Lockwasher, 3/8 Std X 3 |
| 8 | 20279 | | | Washer, 13/32 ID x 13/16 OD |
| 9 | 23769 | | Not Available | PLATE,MOUNTING |
| 10 | 20255 | | Not Available | SCREW,3/8-16 X 1 HEX H |
| 11 | 26069 | | | X Assembly, Motor And Pulley |
| 12 | 24142 | | Not Available | SWITCH,MOTOR |
| " | 24139 | | Not Available | SWITCH,MOTOR |
| 13 | 20103 | M0270519 | | Washer |
| 14 | 20104 | | | Washer |
| 15 | 20102 | | Not Available | WASHER |
| 16 | 25484 | | Not Available | GROUND WIRE |

| | | | |
|----|-----------------------|---------------|-------------------------------|
| 17 | 21735 | Not Available | LOCKWASHER, No. 10 INTSHKP |
| 18 | 20530 | | Screw, 10-24 x 3/8 Hex |
| 19 | 23604 | | Nut, Hex 10-32 Lock |
| 20 | 23759 | Not Available | BELT |
| NI | 20299 | Not Available | FLUID DRIVE FLUID-BULK |

