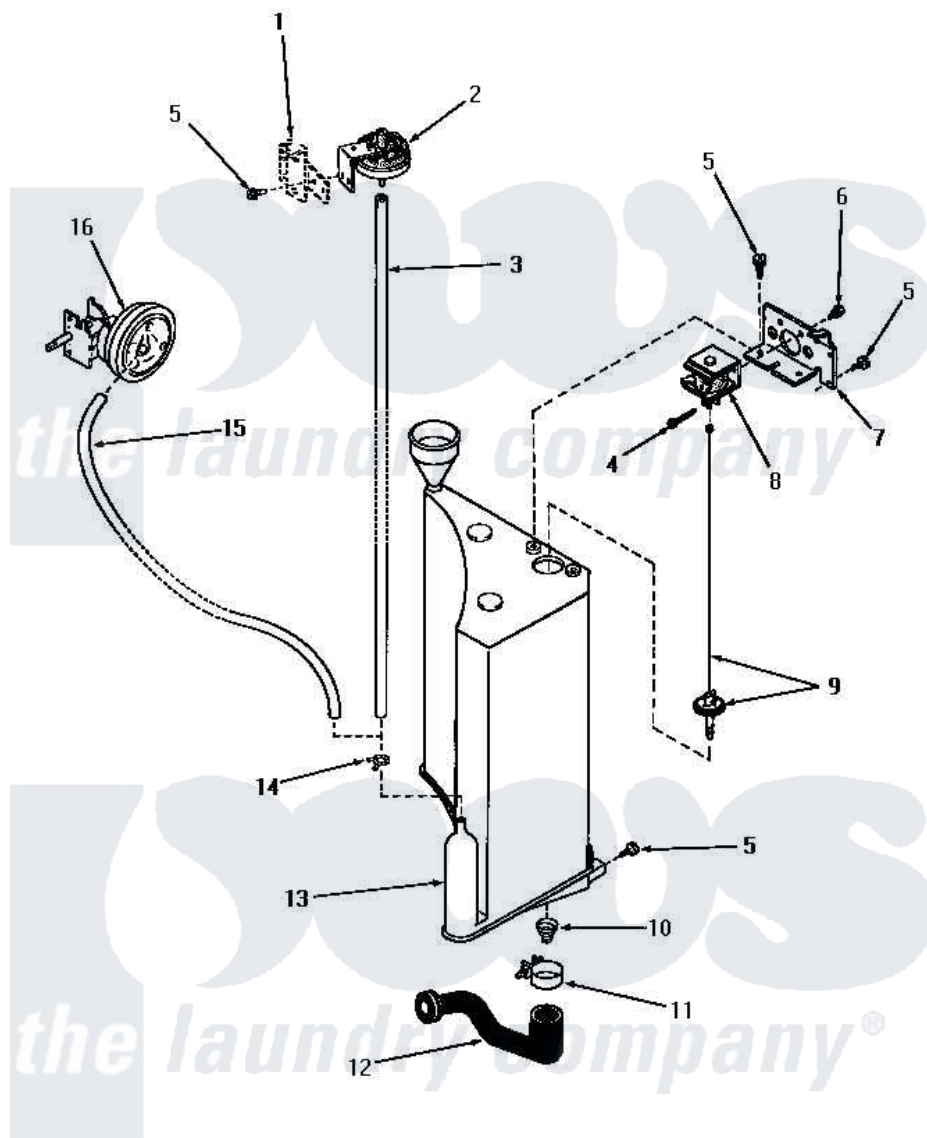


Amana FA6010 18 - PRESSURE SWITCH, RESERVOIR & DRAIN VALVE



PRESSURE SWITCH, RESERVOIR AND DRAIN VALVE

Amana [Residential Amana FA6010 Washer Parts](#) Parts Diagram 18 - PRESSURE SWITCH, RESERVOIR & DRAIN VALVE

[Click on the part number to view part](#)

Item	Original Part Number	Replaced By	Status	Part Description
1	Y00000000		Not Available	SEE NOTE TOP HOLD-DOWN BRACKET, LEFT-FRONT
4	20248			Pin, Cotter
5	51784		Not Available	SCREW,10B-16 X 1/2 HEX
6	Y03950			Screw, 10-32 x 5/16 Sems
7	Y26000		Not Available	BRACKET
8	25999		Not Available	SOLENOID,DRAIN VALVE
9	26244			Assembly, Plunger-Drain Val
10	25997		Not Available	SPRING,DRAIN VALVE
11	20824		Not Available	HOSE CLAMP
12	25998			Hose, Drain-Pressure Ta
13	25993		Not Available	RESERVOIR
14	Y22294	596669		Clamp, Manifold
15	24444		Not Available	NO LONGER AVAILABLE
16	26051		Not Available	SWITCH,PRESSURE