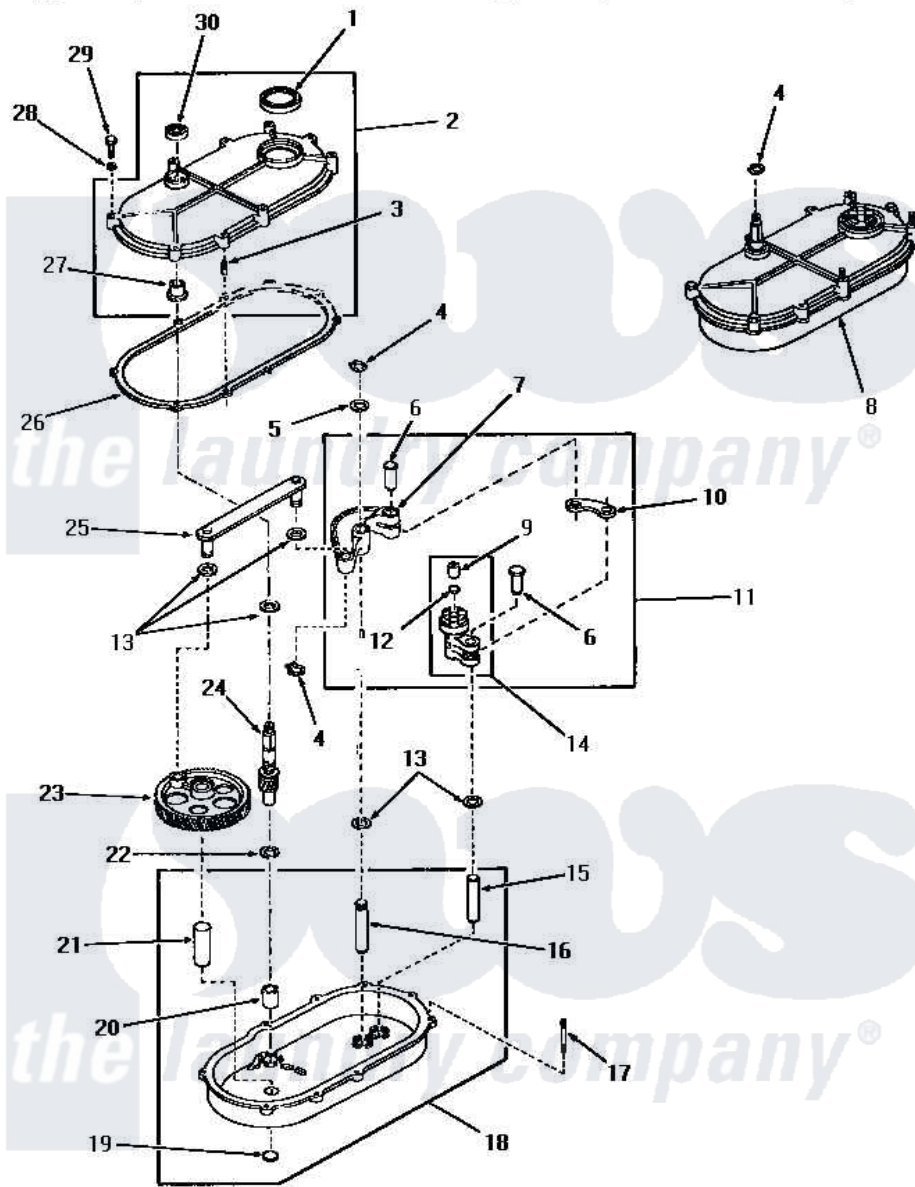


Amana FA6010 20 - TRANSMISSION ASSY



TRANSMISSION ASSEMBLY

Amana [Residential Amana FA6010 Washer Parts](#) Parts Diagram 20 - TRANSMISSION ASSY
 Click on the part number to view part

| Item | Original Part Number | Replaced By | Status | Part Description |
|------|------------------------|------------------------|---------------|------------------------------|
| 1 | 20199 | | | Seal |
| 2 | 20216 | | Not Available | ASSY,TRANSMISSION COVE |
| 3 | 20197 | | Not Available | DOWEL PIN |
| 4 | 23751 | | | Ring, Retaining |
| 5 | 20212 | 35092 | | Washer, 3628id X 1.00 X .056 |
| 6 | 01690 | | | Pin, Link |
| 7 | 05005 | 05005P | | Assembly |
| 8 | 23828 | | | Assembly, Transmission |
| 9 | 01711 | | Not Available | BEARING |
| 10 | Y04999 | | Not Available | LINK |
| 11 | 20220 | | | Assembly, Rocker Arm |
| 12 | Y02479 | | | Disc, Expansion |
| 13 | 01791 | | | Washer, .626 X 1.125 X1 |
| 14 | 20219 | 30927P | | Assembly Clutch Arm |
| 15 | 01688 | | Not Available | PIN |
| 16 | 24817 | | Not Available | PIN,ROCKER ARM |

| | | | | |
|----|------------------------|------------------------|---------------|----------------------------------|
| 17 | 20155 | | Not Available | STUD,DOUBLE END 1/4-20 |
| 18 | 23927 | | Not Available | ASSY,TRANSMISSION xREPLACE |
| 19 | Y02769 | | | Disc |
| 20 | 01993 | | | Bearing, 7/8odx5/8id |
| 21 | 03477 | | Not Available | PIN |
| 22 | 20198 | 41813 | | Csa 20198 20 4w 19 Deg Cc |
| 23 | 02175 | | Not Available | GEAR,CRANK |
| 24 | 23645 | | | Pinion |
| 25 | 03969 | 03969P | | Rod Connecting |
| 26 | 20059 | | | Gasket |
| 27 | 20082 | | | Bearing |
| 28 | 03189 | | | LoCkwasher, 1/4 Std-C P |
| 29 | 20257 | | Not Available | SCREW,1/4-20 X 1-1/4 H |
| 30 | 20200 | | | Seal |
| NI | 02528 | 02528P | | Grease Transmission Mobil 209 |

