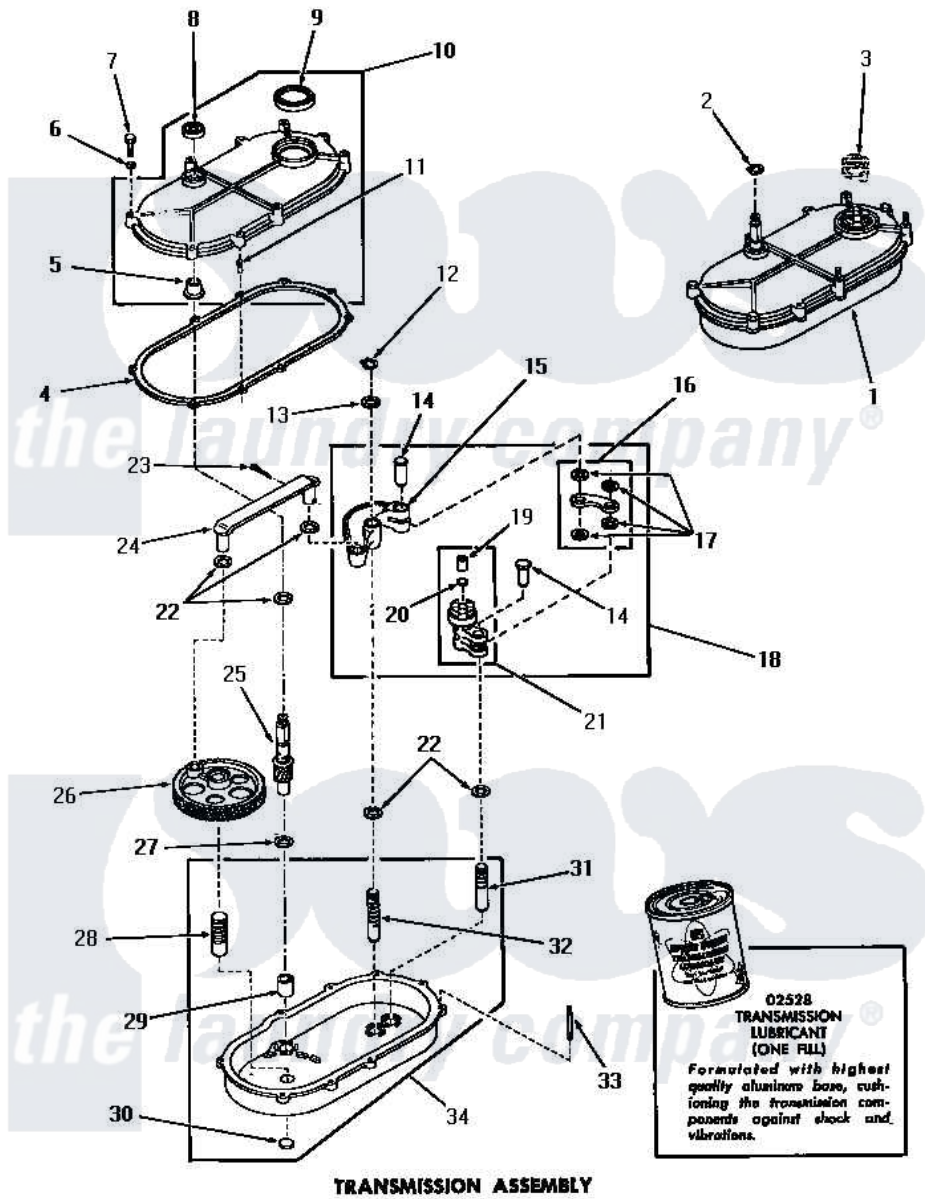


# Amana FA6123 24 - TRANSMISSION ASSY



Amana [Residential Amana FA6123 Washer Parts](#) Parts Diagram 24 - TRANSMISSION ASSY  
 Click on the part number to view part

Item	Original Part Number	Replaced By	Status	Part Description
1	<a href="#">23828</a>			Assembly, Transmission
2	<a href="#">23751</a>			Ring, Retaining
3	Y00000000		Not Available	SEE NOTE SHIFT CLUTCH
4	<a href="#">20059</a>			Gasket
5	<a href="#">20082</a>			Bearing
6	<a href="#">03189</a>			LoCkwasher, 1/4 Std-C P
7	20257		Not Available	SCREW, 1/4-20 X 1-1/4 H
8	<a href="#">20200</a>			Seal
9	<a href="#">20199</a>			Seal
10	20216		Not Available	ASSY, TRANSMISSION COVE
11	20197		Not Available	DOWEL PIN
12	<a href="#">23751</a>			Ring, Retaining
13	20212	<a href="#">35092</a>		Washer, 3628id X 1.00 X .056
14	<a href="#">01690</a>			Pin, Link
15	05005	<a href="#">05005P</a>		Assembly
16	Y04999		Not Available	LINK

17	20212	<a href="#">35092</a>	Washer, 3628id X 1.00 X .056
18	<a href="#">20220</a>		Assembly, Rocker Arm
19	01711	Not Available	BEARING
20	<a href="#">Y02479</a>		Disc, Expansion
21	20219	<a href="#">30927P</a>	Assembly Clutch Arm
22	<a href="#">01791</a>		Washer, .626 X 1.125 X1
23	<a href="#">02578</a>		Pin, Cotter
24	03969	<a href="#">03969P</a>	Rod Connecting
25	<a href="#">23645</a>		Pinion
26	02175	Not Available	GEAR,CRANK
27	20198	<a href="#">41813</a>	Csa 20198 20 4w 19 Deg Cc
28	03477	Not Available	PIN
29	<a href="#">01993</a>		Bearing, 7/8odx5/8id
30	<a href="#">Y02769</a>		Disc
31	01688	Not Available	PIN
32	24817	Not Available	PIN,ROCKER ARM
33	20155	Not Available	STUD,DOUBLE END 1/4-20
34	23927	Not Available	ASSY,TRANSMISSION xREPLACE
NI	02528	<a href="#">02528P</a>	Grease Transmission Mobil 209

