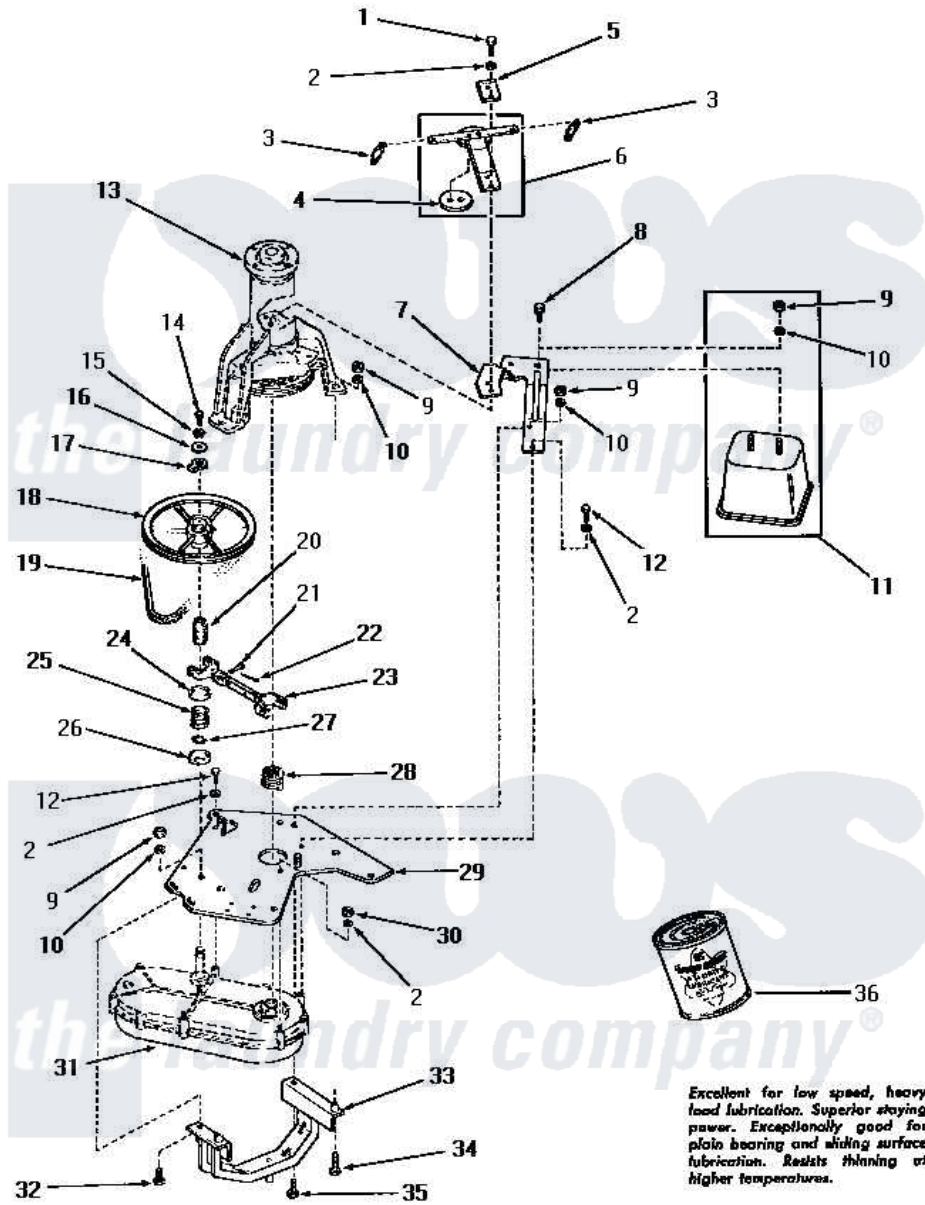


# Amana FA9103 15 - COUNTERBALANCE WEIGHT, BRKT & MTG PLATE



Amana Residential Amana FA9103 Washer Parts Parts Diagram 15 - COUNTERBALANCE WEIGHT, BRKT & MTG PLATE

Click on the part number to view part

| Item | Original Part Number  | Replaced By           | Status        | Part Description         |
|------|-----------------------|-----------------------|---------------|--------------------------|
| 1    | 24233                 |                       | Not Available | SCREW,CAP-1/4-20 X 3/4   |
| 2    | <a href="#">03189</a> |                       |               | LoCkwasher, 1/4 Std-C P  |
| 3    | <a href="#">23632</a> |                       |               | Spring                   |
| 4    | 20453                 |                       | Not Available | DISC, FRICTION           |
| 5    | <a href="#">22614</a> |                       |               | Plate, Support           |
| 6    | <a href="#">20168</a> |                       |               | Assembly, Snubber        |
| 7    | 25139                 |                       | Not Available | BRACKET                  |
| 8    | 23928                 |                       | Not Available | CAP SCREW AND LOCKWASHER |
| 9    | 20274                 | <a href="#">62739</a> |               | Nut, Lock                |
| 10   | <a href="#">20277</a> |                       |               | Lockwasher, 3/8 Std X 3  |
| 11   | 25230                 |                       | Not Available | COUNTERBALANCE WEIGHT    |
| 12   | <a href="#">20264</a> |                       |               | Screw, 1/4-20 X 2 HeX H  |
| 13   | Y00000000             |                       | Not Available | SEE NOTE MAIN BEARING    |
| 14   | <a href="#">02422</a> |                       |               | Screw, 1/4-20 X 1/2 HeX  |
| 15   | <a href="#">02431</a> |                       |               | Lockwasher, 1/4 Ext Shk  |

|    |                       |                          |                                |
|----|-----------------------|--------------------------|--------------------------------|
| 16 | 23716                 | Not Available            | WASHER                         |
| 17 | <a href="#">23643</a> |                          | Pulley Stop                    |
| 18 | 23773                 | Not Available            | ASSY,PULLEY-TRANSMISSI         |
| 19 | <a href="#">23758</a> |                          | Belt                           |
| 20 | <a href="#">23644</a> |                          | Hub                            |
| 21 | 23718                 | Not Available            | PIN,SHIFTER                    |
| 22 | <a href="#">20248</a> |                          | Pin, Cotter                    |
| 23 | <a href="#">23732</a> |                          | Assembly, Shifter Fork         |
| 24 | <a href="#">26610</a> |                          | Retainer, Spring-Upper         |
| 25 | <a href="#">26609</a> |                          | Spring                         |
| 26 | 26611                 | Not Available            | RETAINER,SPRING-LOWER          |
| 27 | <a href="#">23751</a> |                          | Ring, Retaining                |
| 28 | <a href="#">23647</a> |                          | Jaw                            |
| 29 | 24749                 | Not Available            | MOUNTING PLATE                 |
| 30 | 20275                 | <a href="#">27001225</a> | Nut, Jam Mid Lock 1/4-20       |
| 31 | Y00000000             | Not Available            | SEE NOTE TRANSMISSION ASSEMBLY |
| 32 | 22687                 | Not Available            | SCREW                          |
| 33 | 22702                 | Not Available            | ASSY,YOKE & SLEEVE             |
| 34 | Y22688                | Not Available            | SCREW,CAP-3/8-16X1-1/4         |
| 35 | 20255                 | Not Available            | SCREW,3/8-16 X 1 HEX H         |
| 36 | <a href="#">03200</a> |                          | A-D Drive Lubricant            |
| NI | 285P3                 | <a href="#">23911</a>    | Kit Spring                     |

