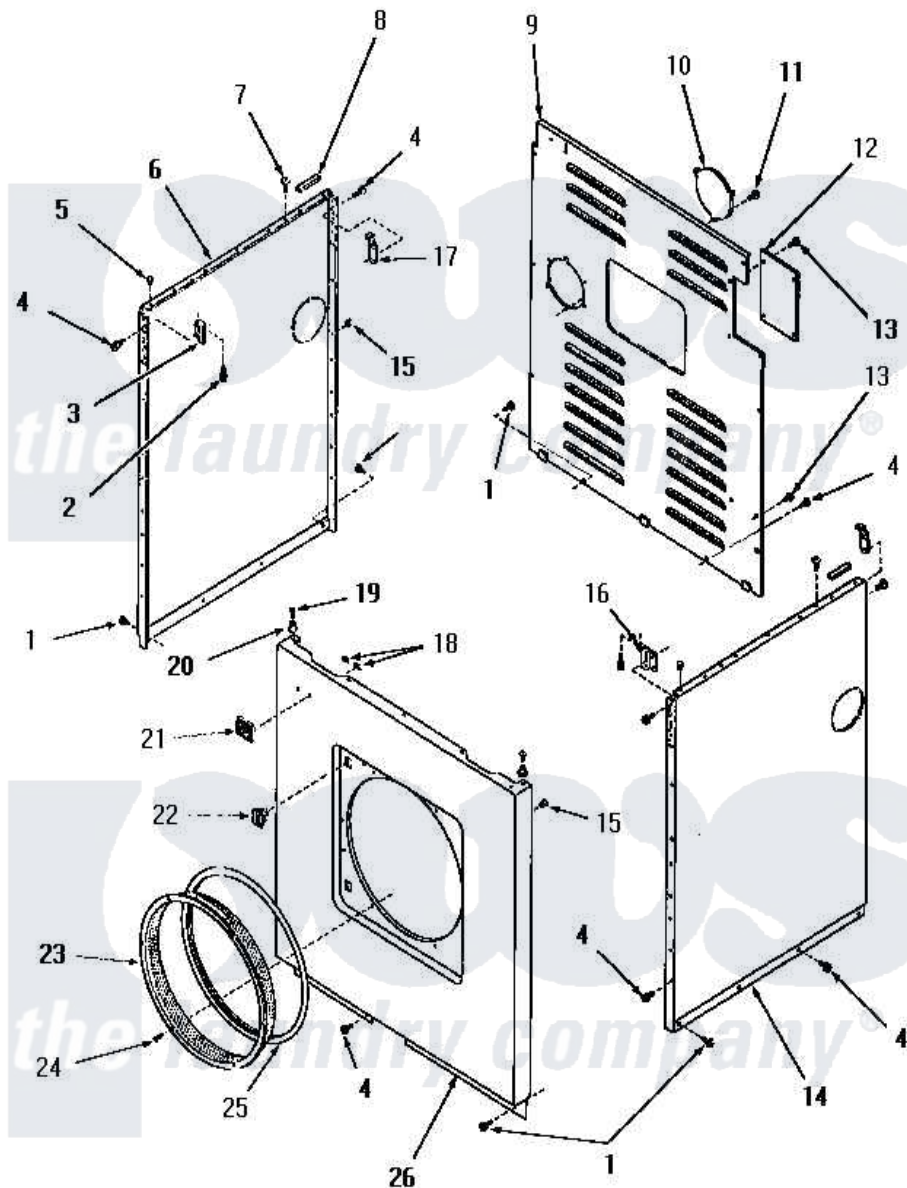


Amana FE0630 10 - PANELS



Amana [Residential Amana FE0630 Washer Parts](#) Parts Diagram 10 - PANELS
 Click on the part number to view part

| Item | Original Part Number | Replaced By | Status | Part Description |
|------|-------------------------|--------------------------|---------------|--------------------------------|
| 1 | 25723 | 27001200 | | Screw |
| 2 | 23008 | | | Screw, 10-24 X 3/4 Sems |
| 3 | 22847 | | Not Available | BRACKET |
| 4 | 51784 | | Not Available | SCREW,10B-16 X 1/2 HEX |
| 5 | 21176 | | | Bumper |
| 6 | 52669H | | Not Available | SIDE PANEL, LEFT, HARVEST GOLD |
| " | 52669C | | Not Available | SIDE PANEL, LEFT, COPPERTONE |
| " | 52669A | | Not Available | SIDE PANEL, LEFT, AVOCADO |
| " | 52669W | | Not Available | SIDE PANEL, LEFT, WHITE |
| 7 | 52442 | | Not Available | SCREW, No.10-16 X 3/8" |
| 8 | 80312 | | | Bumper Pad |
| 9 | 52677GR | | Not Available | PANEL,REAR xREPLACE |
| 10 | 51855GR | | | Plate, Cover |
| 11 | 51782 | | Not Available | SCREW, 6B-20X5/16 |

| | | | | |
|----|-----------------------|-------------------------|---------------|--------------------------------|
| 12 | 52108GR | | Not Available | TERMINAL BLOCK ACCESS PLATE, G |
| 13 | 51780 | 3390631 | | Screw, 10-16 X 3/8 |
| 14 | 52673A | | Not Available | SIDE PANEL, RIGHT, AVOCADO |
| " | 52673H | | Not Available | SIDE PANEL, RIGHT, HARVEST GOL |
| " | 52673C | | Not Available | SIDE PANEL, RIGHT, COPPERTONE |
| " | 52673W | | Not Available | SIDE PANEL, RIGHT, WHITE |
| 15 | 20387 | | | Bumper |
| 16 | 22846 | | Not Available | BRACKET |
| 17 | 52487 | | | Lug, Hold-Down |
| 18 | 22161 | | Not Available | CLIP |
| 19 | Q6535 | | Not Available | SCREW, 10B-16 X 3/4 ROU |
| 20 | 23020 | | Not Available | MOUNT, PANEL |
| 21 | 22086 | | Not Available | MONOGRAM |
| 22 | 54660 | LA-1003 | | Door Catch Kit |
| 23 | 52052GR | | Not Available | DUCT RING, GRAY |
| 24 | 51778 | | | Screw, 8b-18 X 1/2 RD H |
| 25 | 51799 | | | Seal, Outer |
| 26 | 54664C | | Not Available | FRONT PANEL, COPPERTONE |
| " | 54664W | | Not Available | FRONT PANEL, W |
| " | 54664A | | Not Available | FRONT PANEL, AVOCADO |
| " | 54664H | | Not Available | FRONT PANEL, HARVEST GOLD |

the laundry company[®]

the laundry company[®]