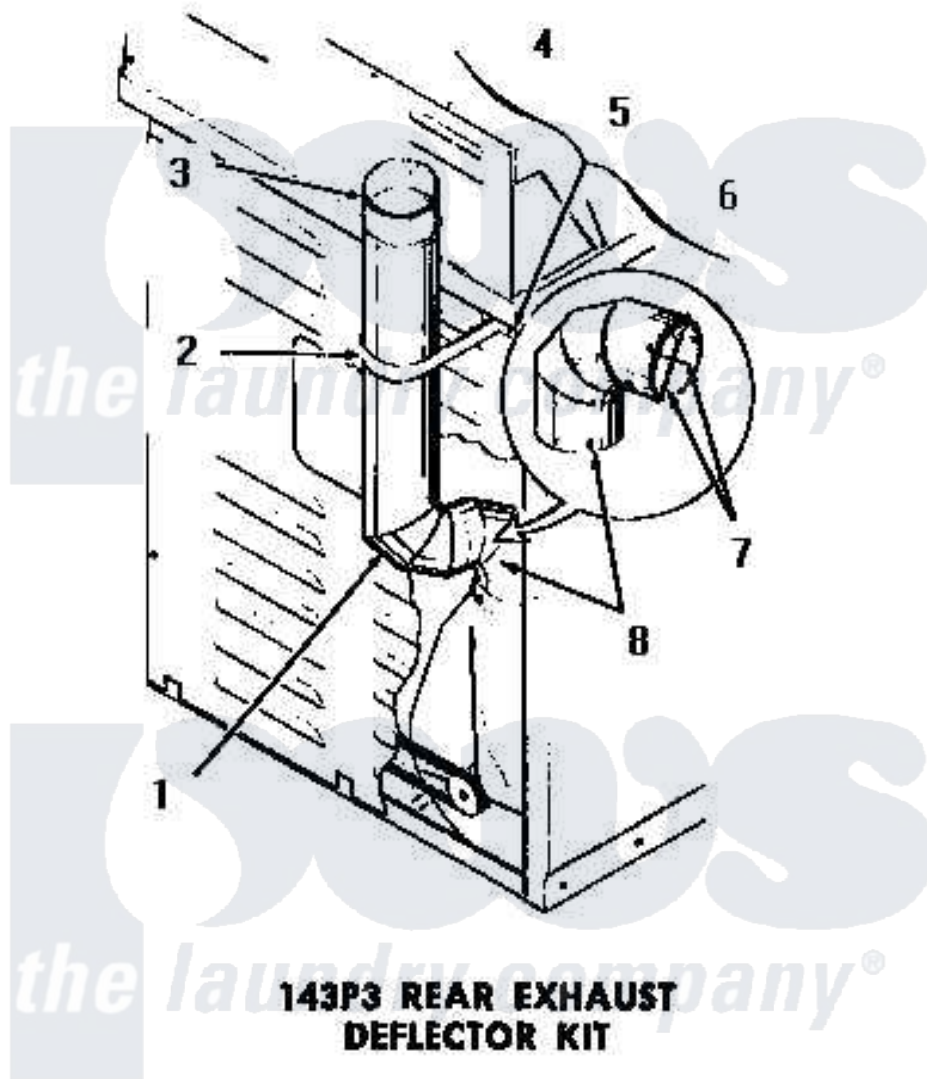


Amana FE1020 01 - 143P3 REAR EXHAUST DEFLECTOR KIT



Amana [Residential Amana FE1020 Washer Parts](#) Parts Diagram 01 - 143P3 REAR EXHAUST DEFLECTOR KIT
 Click on the part number to view part

| Item | Original Part Number | Replaced By | Status | Part Description |
|------|-----------------------|-------------|---------------|---|
| 1 | 51917 | | Not Available | ELBOW |
| 2 | 52127 | | Not Available | SUPPORT BRACKET |
| 3 | Y52129 | | Not Available | EXHAUST PIPE, 4" X 18" |
| 4 | 20267 | | | Screw, 10-24 X 3/8 Round |
| 5 | 03815 | | | Lockwasher, No.10 Ext Shk |
| 6 | 03673 | | Not Available | NUT |
| 7 | Y00000000 | | Not Available | SEE NOTE CUT AND REMOVE WIRE GUARDS |
| 8 | Y00000000 | | Not Available | SEE NOTE DRYER EXHAUST ELBOW -- (SUPPLIED WITH DRYER) |
| NI | 143P3 | | Not Available | REAR EXHAUST DEFLECTOR KIT |