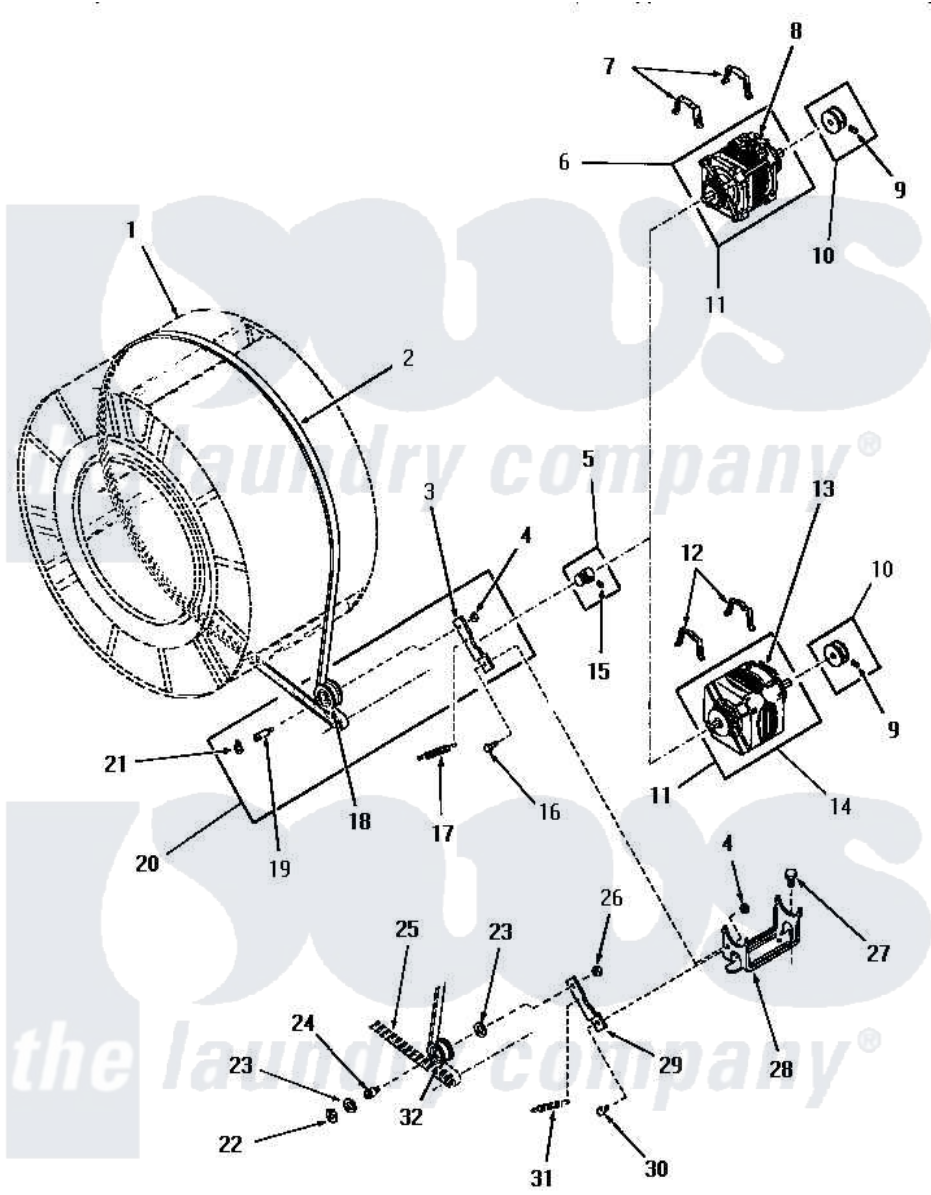


Amana FE1020 15 - MOTOR, IDLER & BELT



MOTOR, IDLER AND BELT

Amana [Residential Amana FE1020 Washer Parts](#) Parts Diagram 15 - MOTOR, IDLER & BELT
 Click on the part number to view part

Item	Original Part Number	Replaced By	Status	Part Description
1	Y00000000		Not Available	SEE NOTE CLOTHES DRUM
2	52556			Belt
3	54410		Not Available	LEVER,IDLER
4	52566	27001225		Nut, Jam Mid Lock 1/4-20
5	52593		Not Available	ASSY,MOTOR PULLEY
6	Y00000000		Not Available	SEE NOTE GENERAL ELECTRIC FORM "V" MOTOR
7	51789	660658		Clamp, Motor Mounting 343481 685441
8	53249		Not Available	SWITCH
9	02771			Screw, 1/4-20 x 3/8 Hex S
10	53522			Pulley, Motor
11	52697		Not Available	MOTOR
12	51789	660658		Clamp, Motor Mounting 343481 685441
13	Y00000000		Not Available	SEE NOTE WESTINGHOUSE -- (NOT REPLACEABLE)

"	53226	Not Available	SWITCH,MOTOR
"	53214	Not Available	MOTOR SWITCH, DELCO
"	53213		Switch
14	Y00000000	Not Available	SEE NOTE GENERAL ELECTRIC FORM ``T`` MOTOR
15	52906	Not Available	SETSCREW
16	52567		Bolt, Shoulder
17	52323		Spring
18	Y54414		Assembly, Wheel And Bearing
19	54411	Not Available	SHAFT,IDLER LEVER
20	54415	Not Available	LEVER,IDLER
21	23748		Ring, Retaining
22	70061		Ring, Retaining
23	Y52564		Washer
24	52611	Not Available	SHAFT,IDLER xREPLACE
25	Y00000000	Not Available	SEE NOTE BELT
26	52124	Not Available	NUT
27	23928	Not Available	CAP SCREW AND LOCKWASHER
28	51824	Not Available	MOUNT,MOTOR
29	52562	Not Available	IDLER LEVER
30	Y00000000	Not Available	SEE NOTE SHOULDER BOLT
31	Y00000000	Not Available	SEE NOTE SPRING
32	52561	Not Available	IDLER PULLEY

