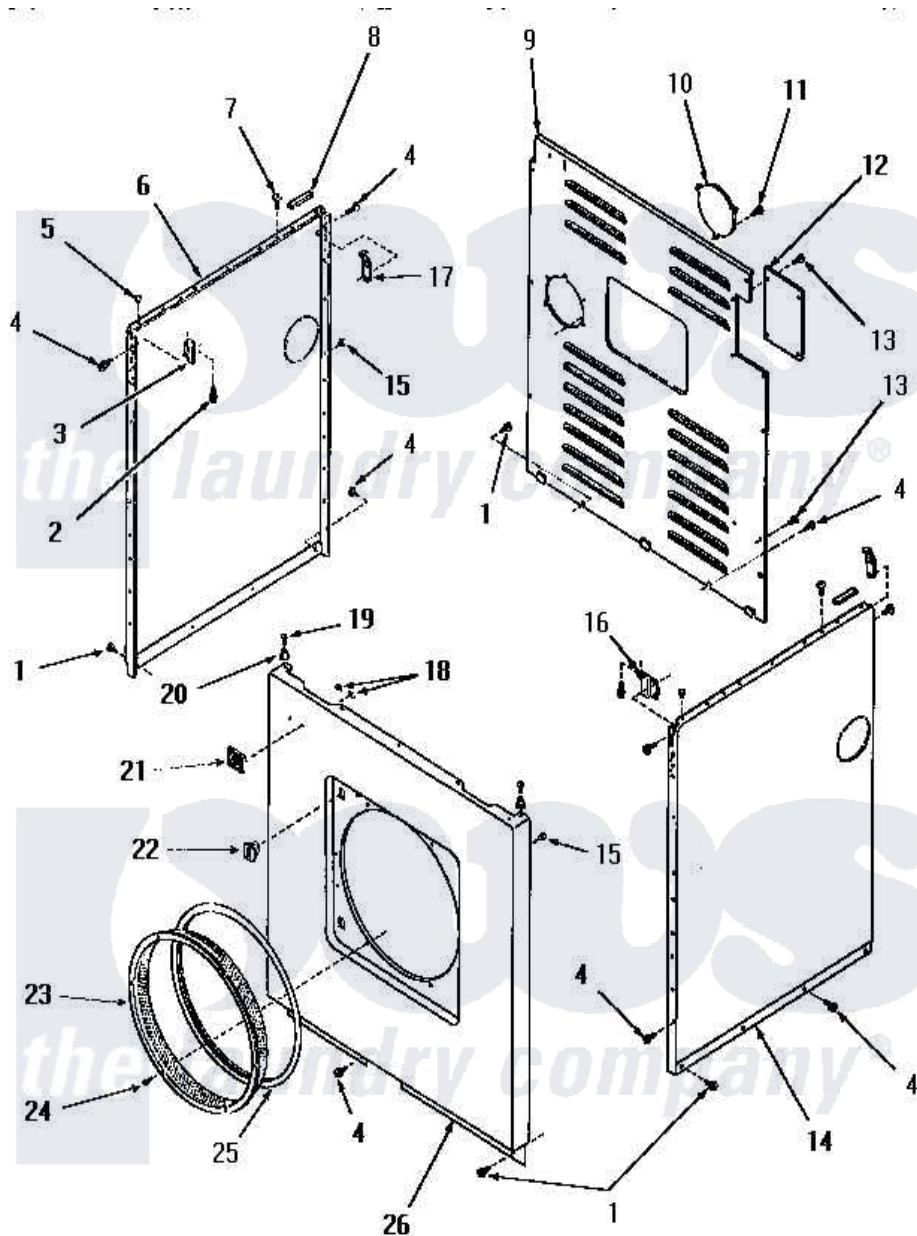


# Amana FE9021 12 - PANELS



Amana Residential Amana FE9021 Washer Parts Parts Diagram 12 - PANELS  
 Click on the part number to view part

Item	Original Part Number	Replaced By	Status	Part Description
1	25723	<a href="#">27001200</a>		Screw
2	<a href="#">23008</a>			Screw, 10-24 X 3/4 Sems
3	22847		Not Available	BRACKET
4	51784		Not Available	SCREW,10B-16 X 1/2 HEX
5	<a href="#">21176</a>			Bumper
6	52669H		Not Available	SIDE PANEL, LEFT, HARVEST GOLD
"	52669A		Not Available	SIDE PANEL, LEFT, AVOCADO
"	52669C		Not Available	SIDE PANEL, LEFT, COPPERTONE
"	52669W		Not Available	SIDE PANEL, LEFT, WHITE
7	52442		Not Available	SCREW, No.10-16 X 3/8"
8	<a href="#">80312</a>			Bumper Pad
9	52677GR		Not Available	PANEL,REAR xREPLACE
10	<a href="#">51855GR</a>			Plate, Cover
11	51782		Not Available	SCREW, 6B-20X5/16

12	52108GR		Not Available	TERMINAL BLOCK ACCESS PLATE, G
13	51780	<a href="#">3390631</a>		Screw, 10-16 X 3/8
14	52673H		Not Available	SIDE PANEL, RIGHT, HARVEST GOL
"	52673C		Not Available	SIDE PANEL, RIGHT, COPPERTONE
"	52673W		Not Available	SIDE PANEL, RIGHT, WHITE
"	52673A		Not Available	SIDE PANEL, RIGHT, AVOCADO
15	<a href="#">20387</a>			Bumper
16	22846		Not Available	BRACKET
17	52847		Not Available	MOTOR, 100-200/50
18	22161		Not Available	CLIP
19	Q6535		Not Available	SCREW, 10B-16 X 3/4 ROU
20	23020		Not Available	MOUNT, PANEL
21	22086		Not Available	MONOGRAM
22	54660	<a href="#">LA-1003</a>		Door Catch Kit
23	52052GR		Not Available	DUCT RING, GRAY
24	<a href="#">51778</a>			Screw, 8b-18 X 1/2 RD H
25	<a href="#">51799</a>			Seal, Outer
26	54662A		Not Available	FRONT PANEL, AVOCADO
"	54662H		Not Available	FRONT PANEL, HARVEST GOLD
"	54662W		Not Available	FRONT PANEL, W
"	54662C		Not Available	FRONT PANEL, COPPERTONE

*the laundry company®*

*the laundry company®*