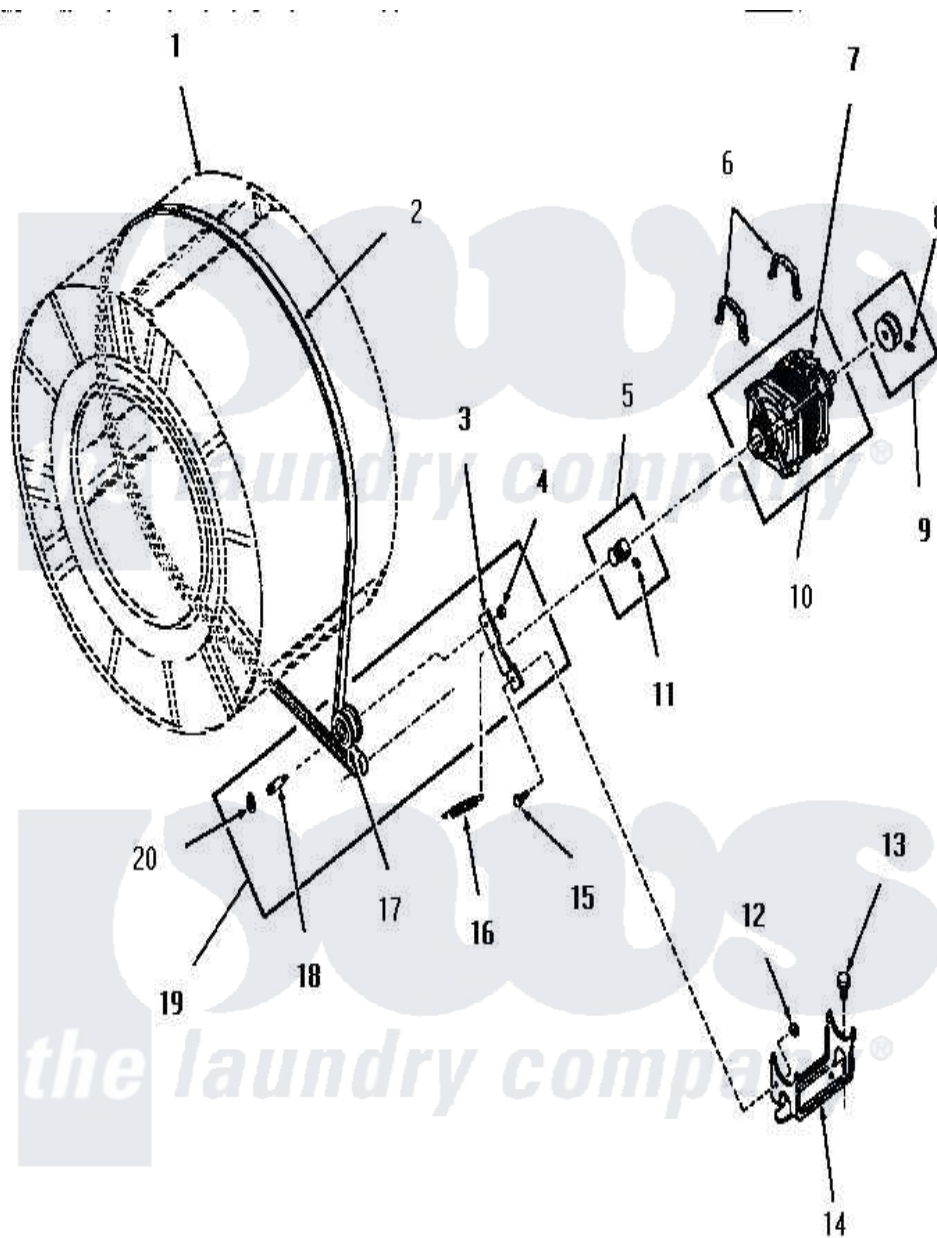


Amana FG0640 11 - MOTOR, IDLER AND BELT



Amana Residential Amana FG0640 Dryer Parts Parts Diagram 11 - MOTOR, IDLER AND BELT
 Click on the part number to view part

| Item | Original Part Number | Replaced By | Status | Part Description |
|------|-----------------------|--------------------------|---------------|--|
| 1 | Y00000000 | | Not Available | SEE NOTE CLOTHES DRUM |
| 2 | 52556 | | | Belt |
| 3 | 54410 | | Not Available | LEVER,IDLER |
| 4 | 52566 | 27001225 | | Nut, Jam Mid Lock 1/4-20 |
| 5 | 52593 | | Not Available | ASSY,MOTOR PULLEY |
| 6 | 51789 | 660658 | | Clamp, Motor Mounting 343481 685441 |
| 7 | 53249 | | Not Available | SWITCH |
| " | Y00000000 | | Not Available | SEE NOTE MOTOR SWITCH, WESTINGHOUSE -- (NOT REPLACEABLE) |
| " | 53226 | | Not Available | SWITCH,MOTOR |
| 8 | 02771 | | | Screw, 1/4-20 x 3/8 Hex S |
| 9 | 53522 | | | Pulley, Motor |
| 10 | 52697 | | Not Available | MOTOR |
| 11 | 52906 | | Not Available | SETSCREW |
| 12 | 52566 | 27001225 | | Nut, Jam Mid Lock 1/4-20 |

| | | | |
|----|------------------------|---------------|-----------------------------|
| 13 | 23928 | Not Available | CAP SCREW AND LOCKWASHER |
| 14 | 51824 | Not Available | MOUNT,MOTOR |
| 15 | 52567 | | Bolt, Shoulder |
| 16 | 52323 | | Spring |
| 17 | Y54414 | | Assembly, Wheel And Bearing |
| 18 | 54411 | Not Available | SHAFT,IDLER LEVER |
| 19 | 54415 | Not Available | LEVER,IDLER |
| 20 | 23748 | | Ring, Retaining |

