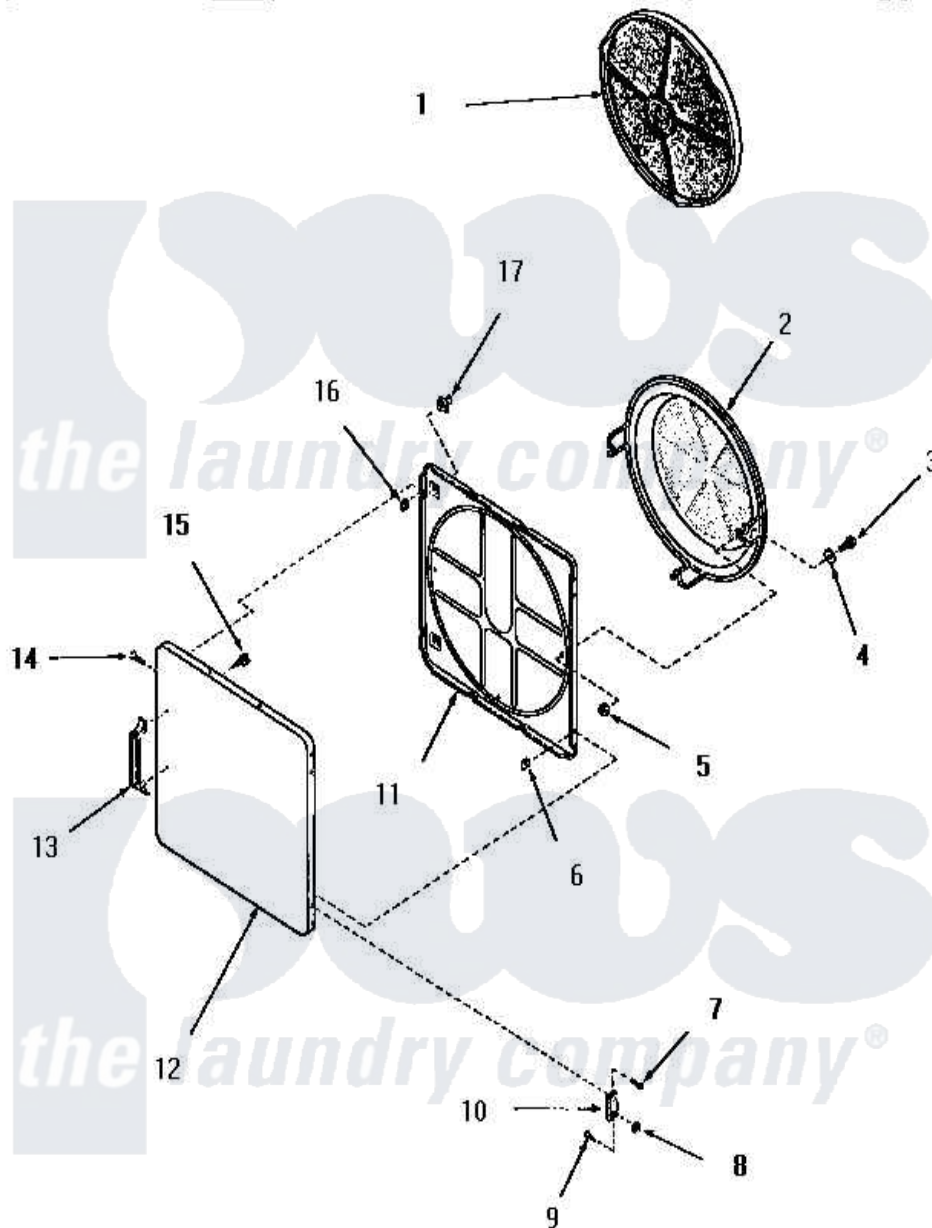


Amana FG3870 10 - LOADING DOOR



Amana Residential Amana FG3870 Dryer Parts Parts Diagram 10 - LOADING DOOR
 Click on the part number to view part

| Item | Original Part Number | Replaced By | Status | Part Description |
|------|-----------------------|--------------------------|---------------|-----------------------------------|
| 1 | 53002 | | Not Available | NO LONGER AVAILABLE |
| 2 | 54731 | 54-731 | | Bake Element |
| 3 | 02422 | | | Screw, 1/4-20 X 1/2 HeX |
| 4 | Q6275 | | Not Available | WASHER |
| 5 | 52566 | 27001225 | | Nut, Jam Mid Lock 1/4-20 |
| 6 | 52865 | | Not Available | SPEED NUT |
| 7 | 52864 | 500226 | | Screw, 8b-16 x 5/8 Tap |
| 8 | 51236 | 488130 | | Nut |
| 9 | 22649 | | | Screw, 8-32 X 13/32 FI |
| 10 | 70014 | | | Hinge |
| 11 | 54665 | 54-665 | | Bake Element |
| 12 | 52489H | | Not Available | OUTER DOOR PANEL, HARVEST GOLD |
| " | 52489A | | Not Available | OUTER DOOR PANEL, AVOCADO |
| " | 52489C | | Not Available | OUTER DOOR PANEL, COPPERTONE |

| | | | | |
|----|--------|-------------------------|---------------|----------------------------|
| " | 52489W | | Not Available | OUTER DOOR PANEL, WHITE |
| 13 | 54068 | 61925 | | Pull Door Commercial Black |
| 14 | 52864 | 500226 | | Screw, 8b-16 x 5/8 Tap |
| 15 | 52150 | 489464 | | Screw |
| 16 | 52865 | | Not Available | SPEED NUT |
| 17 | 54661 | LA-1003 | | Door Catch Kit |

