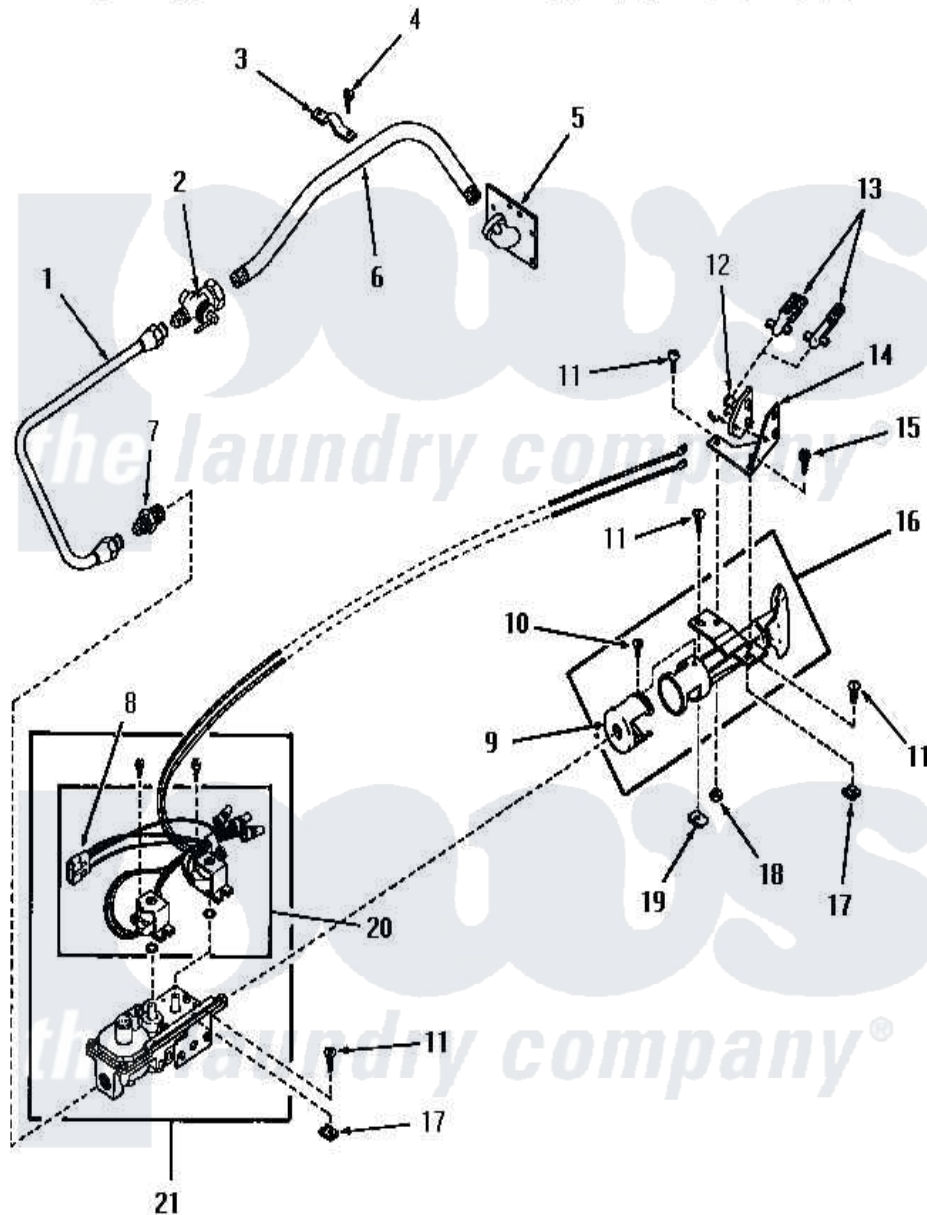


Amana FG3871 07 - GLOW BAR IGNITION BURNER



Amana Residential Amana FG3871 Dryer Parts Parts Diagram 07 - GLOW BAR IGNITION BURNER
 Click on the part number to view part

Item	Original Part Number	Replaced By	Status	Part Description
1	54407		Not Available	ASSY,INLET GAS TUBE
2	Y51058		Not Available	VALVE
3	51828		Not Available	GAS PIPE CLAMP
4	25723	27001200		Screw
5	51842		Not Available	PIPE SUPPORT
6	51775		Not Available	INLET GAS PIPE
7	54408			Connector, Male
8	55452		Not Available	PLUG
9	53007	53-007		Receptacle
10	53006	53-006		Receptacle
11	20267			Screw, 10-24 X 3/8 Round
12	55435		Not Available	BRACKET,IGNITER
13	55438	4392003		Ignitor
14	55434		Not Available	BRACKET
15	51784		Not Available	SCREW,10B-16 X 1/2 HEX
16	53011		Not Available	TUBE,BURNER

17	21747		Nut, Speed
18	03673	Not Available	NUT
19	20249	36020	Nut-10-24
20	55971A	Not Available	COIL,BURNER
21	55971	Not Available	VALVE,GAS
NI	53255		Assembly, Conversion Kit
"	53408	Not Available	LABEL,CHANGE-OVER
"	56327	Not Available	STICKER
"	56326	Not Available	ASSY,CONVERSION KIT
"	53556	Not Available	STICKER,CONVERSION
"	51211		Orifice, LP No.55 Drill
"	53952		Screw, Vent
"	53390		Plug, Block-Open
"	55753	Not Available	VALVE CONVERTED STICKER
"	50326		Orifice, NG
"	52894	Not Available	STICKER
"	52893		Sticker

