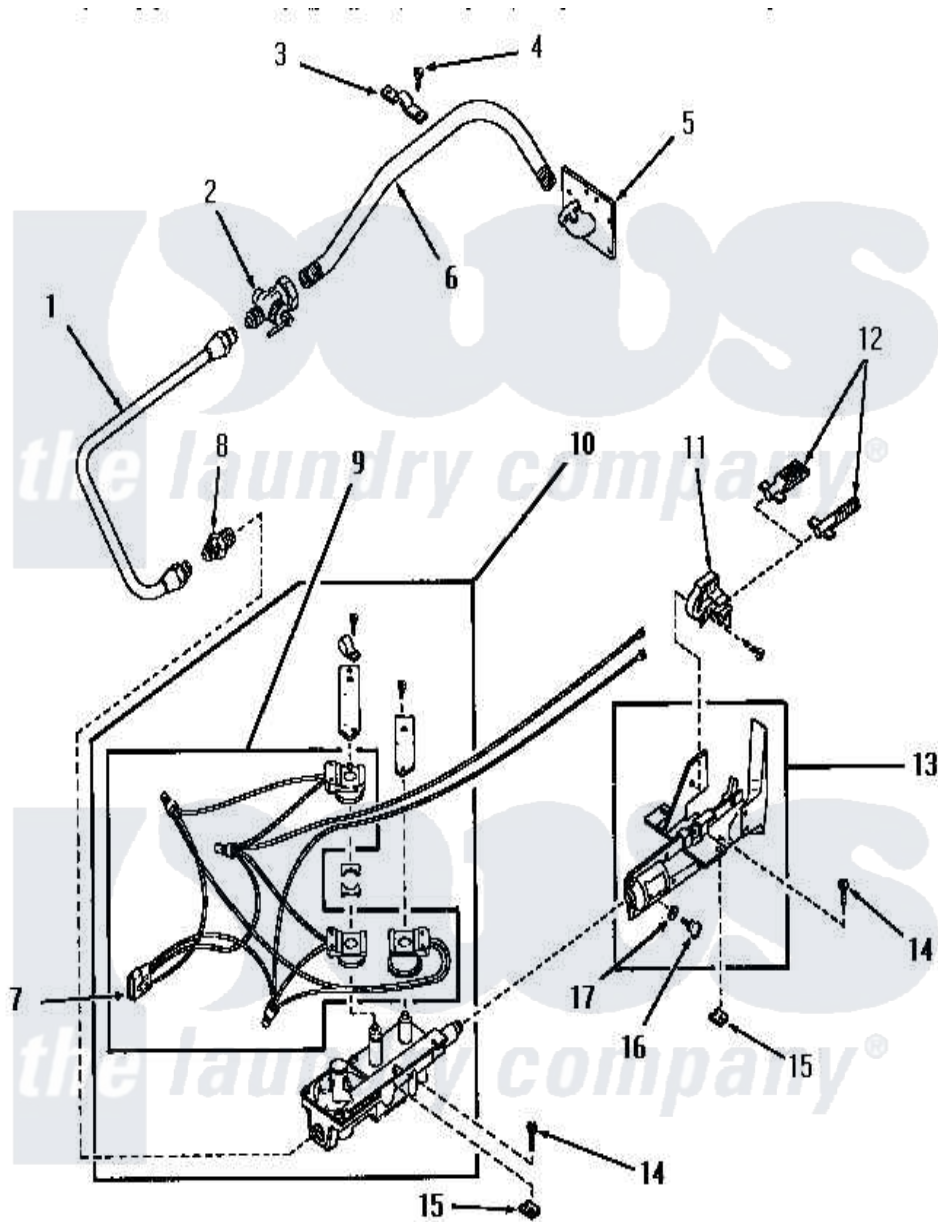


Amana FG3871 08 - GLOW BAR IGNITION BURNER



Amana [Residential Amana FG3871 Dryer Parts](#) Parts Diagram 08 - GLOW BAR IGNITION BURNER
 Click on the part number to view part

Item	Original Part Number	Replaced By	Status	Part Description
1	54460		Not Available	INLET,GAS TUBE
2	Y51058		Not Available	VALVE
3	51828		Not Available	GAS PIPE CLAMP
4	25723	27001200		Screw
5	51842		Not Available	PIPE SUPPORT
6	51775		Not Available	INLET GAS PIPE
7	55452		Not Available	PLUG
8	54408			Connector, Male
9	55439A			Burner Coils
10	55745		Not Available	GAS VALVE ASSEMBLY
11	55448		Not Available	BRACKET,IGNITER xREPLACE
12	55438	4392003		Ignitor
13	55857		Not Available	TUBE,BURNER
14	20267			Screw, 10-24 X 3/8 Round
15	21747			Nut, Speed
16	54466		Not Available	THUMB SCREW

17	54735		Not Available	WASHER
NI	55753		Not Available	VALVE CONVERTED STICKER
"	54477		Not Available	CAP, VENT
"	54495		Not Available	PLUG, BLOCK-OPEN
"	53556		Not Available	STICKER, CONVERSION
"	53408		Not Available	LABEL, CHANGE-OVER
"	50326			Orifice, NG
"	Y0054476	D7431921Q		Gasket
"	53255			Assembly, Conversion Kit
"	51211			Orifice, LP No.55 Drill
"	52893			Sticker
"	55750			Valve Converted Sticker
"	55749		Not Available	ASSY, CONVERSION KIT
"	20247			Plug, Pipe
"	52894		Not Available	STICKER

