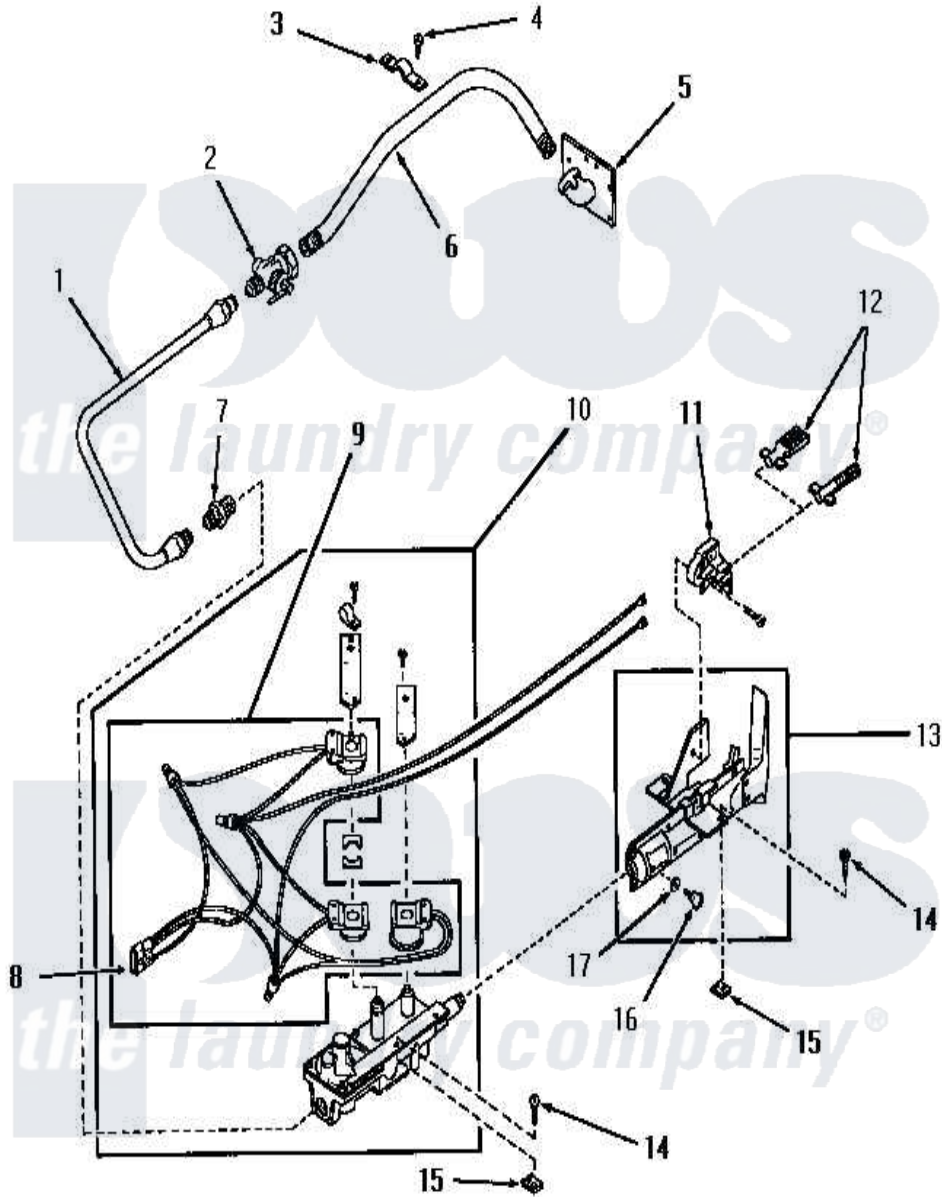


Amana FG6040 08 - GLOW BAR IGNITION BURNER



Amana [Residential Amana FG6040 Dryer Parts](#) Parts Diagram 08 - GLOW BAR IGNITION BURNER
 Click on the part number to view part

| Item | Original Part Number | Replaced By | Status | Part Description |
|------|------------------------|--------------------------|---------------|-----------------------------|
| 1 | 54460 | | Not Available | INLET,GAS TUBE |
| 2 | Y51058 | | Not Available | VALVE |
| 3 | 51828 | | Not Available | GAS PIPE CLAMP |
| 4 | 25723 | 27001200 | | Screw |
| 5 | 51842 | | Not Available | PIPE SUPPORT |
| 6 | 51775 | | Not Available | INLET GAS PIPE |
| 7 | 54408 | | | Connector, Male |
| 8 | 55452 | | Not Available | PLUG |
| 9 | 55439A | | | Burner Coils |
| 10 | 55745 | | Not Available | GAS VALVE ASSEMBLY |
| 11 | 55448 | | Not Available | BRACKET,IGNITER xREPLACE |
| 12 | 55438 | 4392003 | | Ignitor |
| 13 | 55857 | | Not Available | TUBE,BURNER |
| 14 | 20267 | | | Screw, 10-24 X 3/8 Round |
| 15 | 21747 | | | Nut, Speed |
| 16 | 54466 | | Not Available | THUMB SCREW |

| | | | | |
|----|-----------------------|---------------------------|---------------|--------------------------|
| 17 | 54735 | | Not Available | WASHER |
| NI | 55753 | | Not Available | VALVE CONVERTED STICKER |
| " | 54477 | | Not Available | CAP, VENT |
| " | 54495 | | Not Available | PLUG, BLOCK-OPEN |
| " | 53556 | | Not Available | STICKER, CONVERSION |
| " | 53408 | | Not Available | LABEL, CHANGE-OVER |
| " | 50326 | | | Orifice, NG |
| " | Y0054476 | D7431921Q | | Gasket |
| " | 53255 | | | Assembly, Conversion Kit |
| " | 51211 | | | Orifice, LP No.55 Drill |
| " | 52893 | | | Sticker |
| " | 55750 | | | Valve Converted Sticker |
| " | 55749 | | Not Available | ASSY, CONVERSION KIT |
| " | 20247 | | | Plug, Pipe |
| " | 52894 | | Not Available | STICKER |

