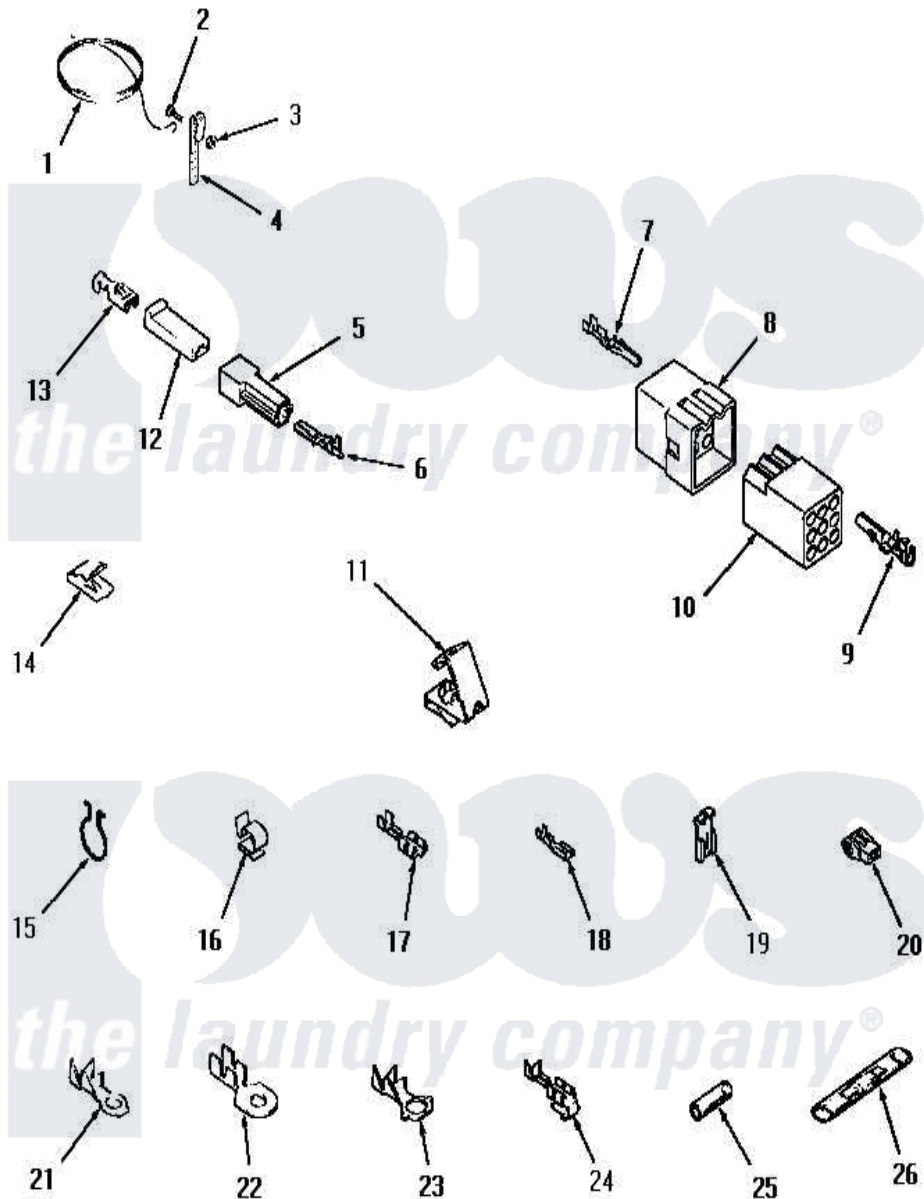


# Amana FG6041 14 - WIRE AND TERMINALS



Amana [Residential Amana FG6041 Dryer Parts](#) Parts Diagram 14 - WIRE AND TERMINALS  
 Click on the part number to view part

| Item | Original Part Number   | Replaced By             | Status        | Part Description   |
|------|------------------------|-------------------------|---------------|--|
| 1    | Y21429                 |                         | Not Available | GROUND WIRE  |
| 2    | 21431                  |                         | Not Available | ROUND HEAD SCREW   |
| 3    | Y20276                 |                         | Not Available | NUT  |
| 4    | 21430                  |                         | Not Available | STRAP, GROUND  |
| 5    | 90788                  |                         | Not Available | HOUSING, TAB   |
| 6    | <a href="#">00133</a>  |                         |               | Terminal, Tab-1/4 Male                                       |
| 7    | <a href="#">Y00116</a> |                         |               | Terminal, Pin-Male   |
| 8    | <a href="#">23033</a>  |                         |               | Plug, 9 Circuit  |
| 9    | Y00117                 | <a href="#">5011-XX</a> |               | 093 Female Socket  |
| 10   | <a href="#">26163</a>  |                         |               | Receptacle, 9 Circuit  |
| 11   | 00158                  |                         | Not Available | GROUND CLIP  |
| 12   | <a href="#">90789</a>  |                         |               | Connector  |
| 13   | <a href="#">Y00115</a> |                         |               | Lock In Spade Terminal (18 Gaug (1/4 Inch-(1) 18 Gauge Wire) |
| 14   | <a href="#">20309</a>  |                         |               | Cable Clip   |
| 15   | <a href="#">51291</a>  |                         |               | Clip, Wire   |

|    |                        |                        |   |
|----|------------------------|------------------------|---|
| 16 | <a href="#">21036</a>  |                        | Clip, Cable   |
| 17 | Y00119                 | Not Available          | SPADE TERMINAL(18 GAUGE) (1/4 INCH-(1) 18 GAUGE WIRE) |
| 18 | <a href="#">00112</a>  |                        | Terminal, Spade-3/16 Fe                               |
| 19 | <a href="#">Y00120</a> |                        | Terminal, Flag-1/4 Fema                               |
| 20 | 70210                  | Not Available          | INSULATOR,BLUE  |
| 21 | <a href="#">00110</a>  |                        | No. 10 18 Gauge Wire                                  |
| 22 | <a href="#">Y00111</a> |                        | Ring Terminal No.10 No.10 18 Gauge Wires Or           |
| 23 | Y00113                 | Not Available          | TERMINAL,RING-1/4 STUD                                |
| 24 | <a href="#">Y00114</a> |                        | Spade Terminal  |
| 25 | Y21365                 | <a href="#">503670</a> | Sleeve Insulator                                      |
| 26 | 21091                  | Not Available          | CONNECTOR TWO 1/4 INCH MALE                           |
| NI | 20680                  | Not Available          | 18 GAUGE WIRE   |
| "  | 20679                  | Not Available          | WIRE, 12 GAUGE  |

