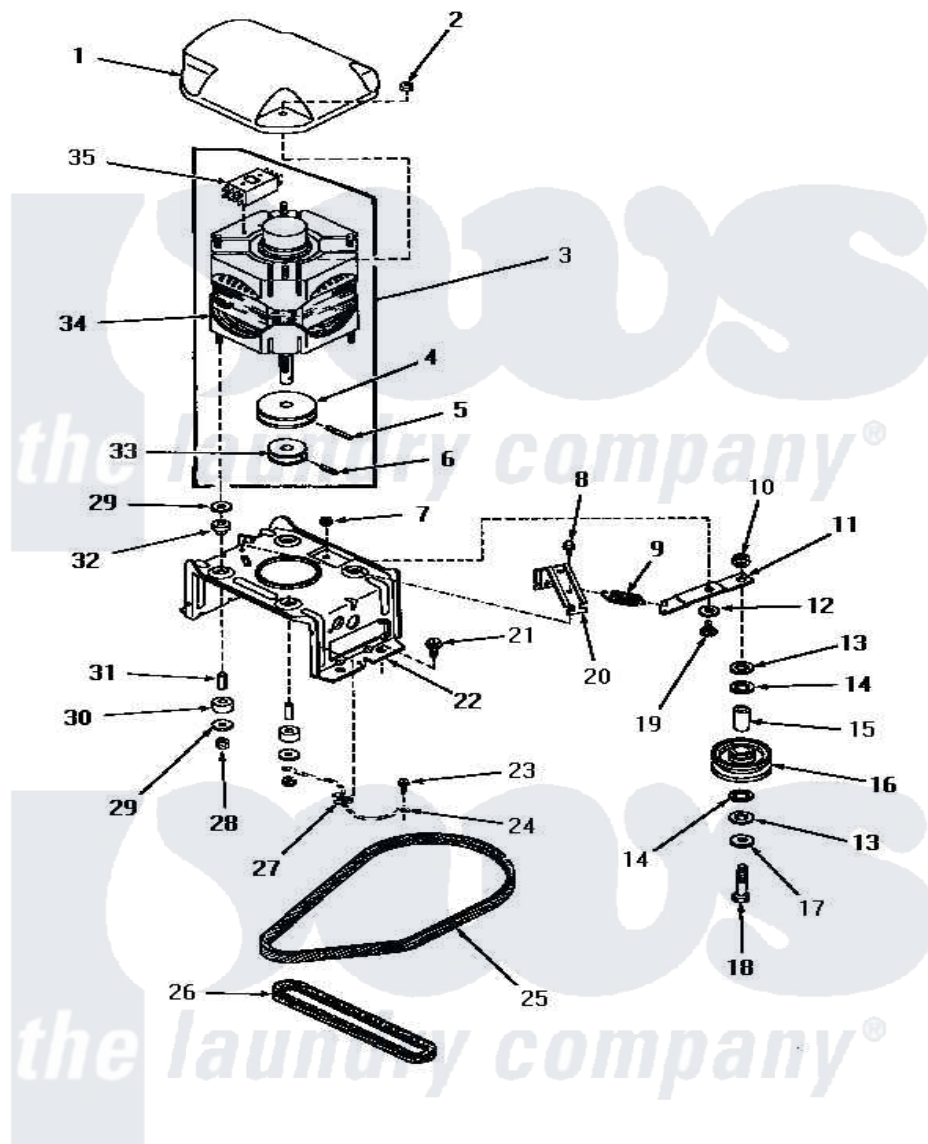


Amana HA2410 13 - MOTOR, MTG BRACKET, BELTS & IDLER ASSY



MOTOR, MOUNTING BRACKET, BELTS AND IDLER ASSEMBLY
(through Serial No. C3455773)

Amana [Residential Amana HA2410 Washer Parts](#) Parts Diagram 13 - MOTOR, MTG BRACKET, BELTS & IDLER ASSY
Click on the part number to view part

| Item | Original Part Number | Replaced By | Status | Part Description |
|------|-----------------------|--------------------------|---------------|--------------------------|
| 1 | 27136 | | | Shield, Motor |
| 2 | 27201 | | | Locknut |
| 3 | 27179 | 27179P | | Motor-Drve |
| 4 | 27171 | | Not Available | PULLEY,MOTOR |
| 5 | 23750 | | | Pin, Roll |
| 6 | 10416 | | | Pin, Roll |
| 7 | 52566 | 27001225 | | Nut, Jam Mid Lock 1/4-20 |
| 8 | 56264 | 27001200 | | Screw |
| 9 | 27928 | | Not Available | SPRING |
| 10 | 56156 | 358160 | | Nut |
| 11 | 27135 | | | Lever, Idler |
| 12 | 81392 | 40054701 | | Washer |
| 13 | 28018 | | Not Available | WASHER |
| 14 | 27210 | | Not Available | WASHER |
| 15 | 27601 | | Not Available | BEARING |
| 16 | 27212 | R9900487 | | Sheet |

| | | | |
|----|------------------------|--------------------------|-----------------------------|
| 17 | 27211 | Not Available | WASHER |
| 18 | 27209 | | Bolt |
| 19 | 27229 | 40038901 | Screw, 1/4-20 |
| 20 | 27929 | | Xarm Spring |
| 21 | 27157 | | Screw, 10-24 X 5/8 Spec |
| 22 | 27112 | Not Available | MOTOR MOUNTING BRACKET |
| 23 | 26592 | Not Available | HEX HEAD SCREW |
| 24 | Y00000000 | Not Available | SEE NOTE GROUND WIRE, GREEN |
| 25 | 27246 | R9900487 | Sheet |
| 26 | 27155 | | Belt, Pump |
| 27 | Y00161 | B5733302 | Clip, Ground |
| 28 | 23604 | | Nut, Hex 10-32 Lock |
| 29 | 03888 | Not Available | WASHER |
| 30 | 01953 | Not Available | WASHER,LOWER MOTOR MOU |
| 31 | 27181 | Not Available | SPACER,MOTOR |
| 32 | 01952A | | Mounting, Rubber |
| 33 | Y27104 | Not Available | PULLEY,MOTOR |
| 34 | 27772 | 27179P | Motor-Drve |
| 35 | 24139 | Not Available | SWITCH,MOTOR |
| " | 24140 | Not Available | SWITCH,MOTOR |
| " | 24142 | Not Available | SWITCH,MOTOR |
| " | Y24149 | | Switch, Motor |
| NI | 258P3 | Not Available | KIT,CAPACITOR |

