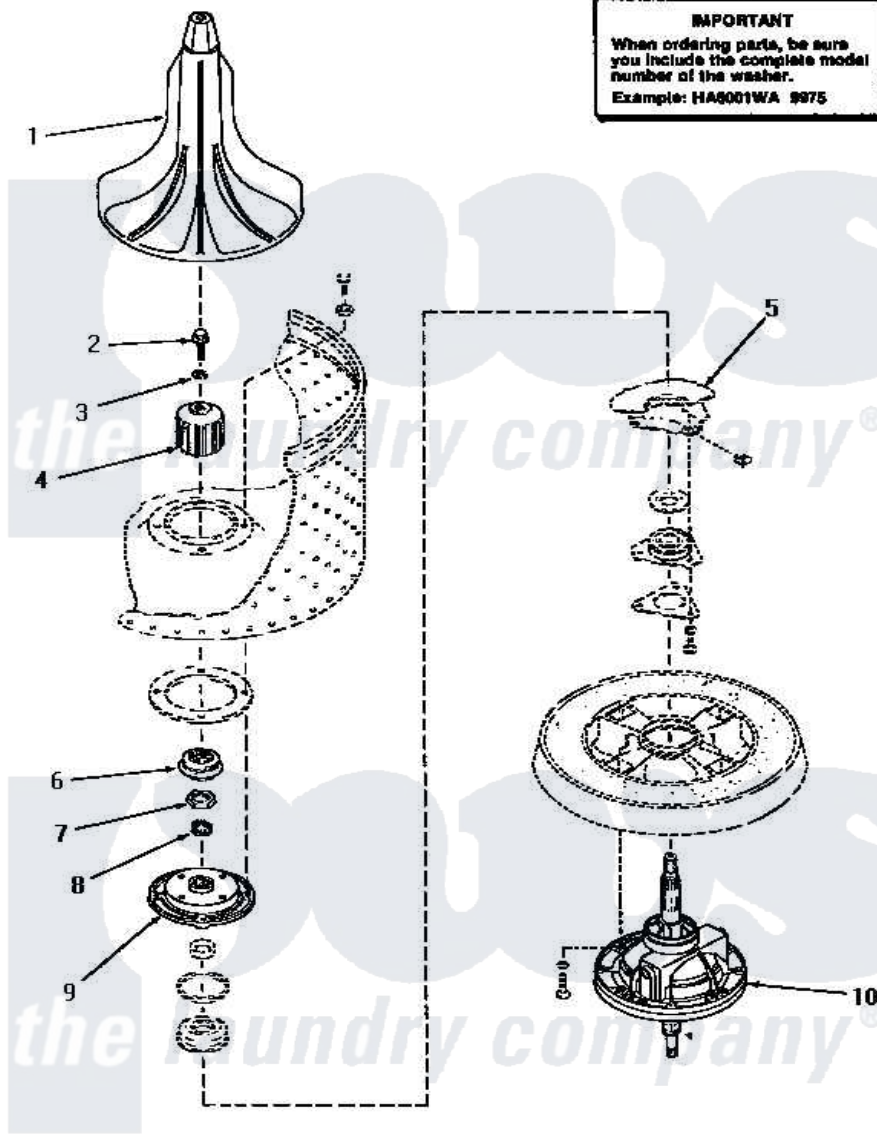


Amana HA2620 20 - SHORT POST DRIVE (ADDITION)



SHORT POST DRIVE

Amana [Residential Amana HA2620 Washer Parts](#) Parts Diagram 20 - SHORT POST DRIVE (ADDITION)
 Click on the part number to view part

| Item | Original Part Number | Replaced By | Status | Part Description |
|------|-----------------------|---------------------------|---------------|----------------------------|
| 1 | 30855 | 40000501W | | Agitator, Flex Vane |
| 2 | 30852 | | | Screw, No.8-1/4 X 20 X 3/ |
| 3 | 30853 | | Not Available | SEAL |
| 4 | 30071 | R9900189 | | Kit, Drive Bell And Seal |
| 5 | Y00000000 | | Not Available | SEE NOTE OUTER TUB |
| 6 | 30022 | | Not Available | ASSY,SEAL-HEAD xREPLACE |
| 7 | Y29220 | 40016301 | | Nut, Lock |
| 8 | 29728 | 40008301 | | Insert, Spline |
| 9 | 30034 | | Not Available | HUB ASSEMBLY |
| 10 | 30848 | 33227P | | Assembly- Tran |
| " | 33227 | 33227P | | Assembly- Tran |