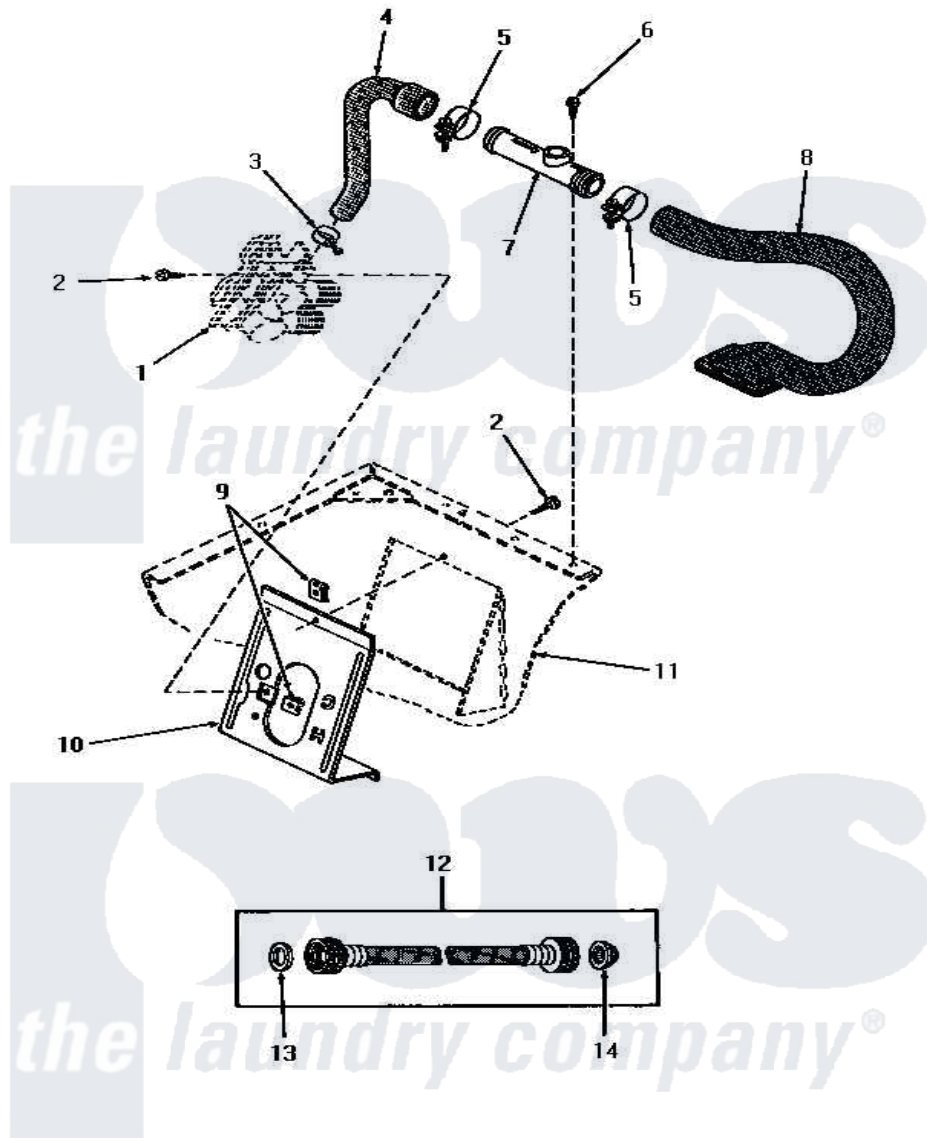


Amana HA3000 08 - INLET/FILL HOSE/BACK FL PREVENTER & BRKT



**INLET HOSE, FILLER HOSE, BACK FLOW PREVENTER
AND MIXING VALVE MOUNTING BRACKET
(through Serial No. N3805084)**

Amana [Residential Amana HA3000 Washer Parts](#) Parts Diagram 08 - INLET/FILL HOSE/BACK FL PREVENTER & BRKT

[Click on the part number to view part](#)

| Item | Original Part Number | Replaced By | Status | Part Description |
|------|-----------------------|---------------------------|---------------|-----------------------------|
| 1 | Y00000000 | | Not Available | SEE NOTE MIXING VALVE |
| 2 | 56392 | | Not Available | SCREW,8-18 X 3/8 TAPPI |
| 3 | 27643 | 596669 | | Clamp, Manifold |
| 4 | 27183 | | | Hose, Mixing Valve |
| 5 | 27152 | | Not Available | CLAMP HOSE |
| 6 | 23962 | W10116760 | | Screw |
| 7 | 27118 | 34280 | | Assembly, Backflow Prevento |
| 8 | 27231 | | Not Available | HOSE |
| 9 | 54038 | | | NUt, Speed U-Type |
| 10 | 27126 | 39407 | | Bracket, Valve |
| 11 | Y00000000 | | Not Available | SEE NOTE CABINET |
| 12 | 28330 | 202860 | | Inlet Hose Assembly |
| 13 | 20290 | Y013783 | | Washer, Inlet Hose |
| 14 | 28605 | 22002960 | | Strainer, Washer Inlet |