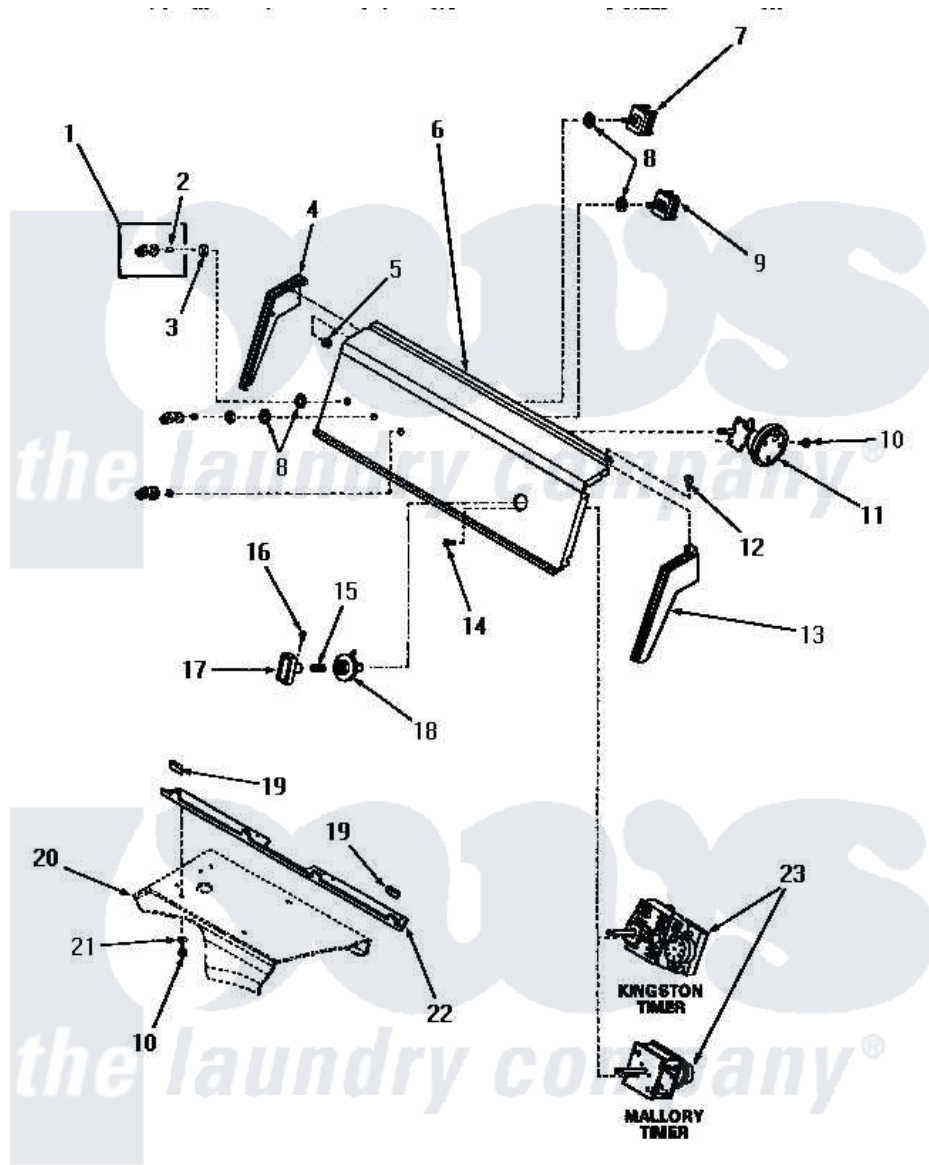


# Amana HA4261 06 - CONTROL PANEL & CONTROLS



## CONTROL PANEL AND CONTROLS

Amana [Residential Amana HA4261 Washer Parts](#) Parts Diagram 06 - CONTROL PANEL & CONTROLS  
 Click on the part number to view part

Item	Original Part Number	Replaced By	Status	Part Description
"	NOTE:		Not Available	1. IF DRAIN HOSE MUST BE SHORTENED, CUT HOSE BETWEEN MOLDED END AND MOLDED ELBOW. USE ONE NO. 25863 HOSE COUPLING TO SPLICE HOSE.
1	27376		Not Available	No Longer Available
2	10519		Not Available	RETAINER
3	57584		Not Available	NUT
4	25124		Not Available	CONTROL HOOD END, LEFT
5	25126	<a href="#">5303284616</a>		Clip
6	27856		Not Available	CONTROL PANEL
7	21300		Not Available	SWITCH,TEMPERATURE
8	<a href="#">91176</a>			Lockwasher, 3/8 Intshkp
9	<a href="#">21302</a>			Switch, Motor-2SP
10	23962	<a href="#">W10116760</a>		Screw
11	<a href="#">27778</a>			Switch, Pressure
12	25232		Not Available	SCREW,8AB-18X7/8 OVAL

13	25123	Not Available	CONTROL HOOD END, RIGHT
14	<a href="#">70212</a>		Screw, 8-32 X 5/32 RD H
15	<a href="#">26319</a>		Spring
16	<a href="#">26318</a>		Screw, 8-32 X 1/4 Set S
17	27382	Not Available	TIMER KNOB
18	28287	Not Available	TIMER KNOB INDICATOR
19	24859	Not Available	SLEEVE,SUPPORT ANGLE
20	Y00000000	Not Available	SEE NOTE CABINET TOP
21	<a href="#">20493</a>		Washer, 11/64 ID x 3/8 OD
22	23360	Not Available	ANGLE
23	<a href="#">27694</a>		Xtimer

*the laundry company*<sup>®</sup>

*the laundry company*<sup>®</sup>

*the laundry company*<sup>®</sup>