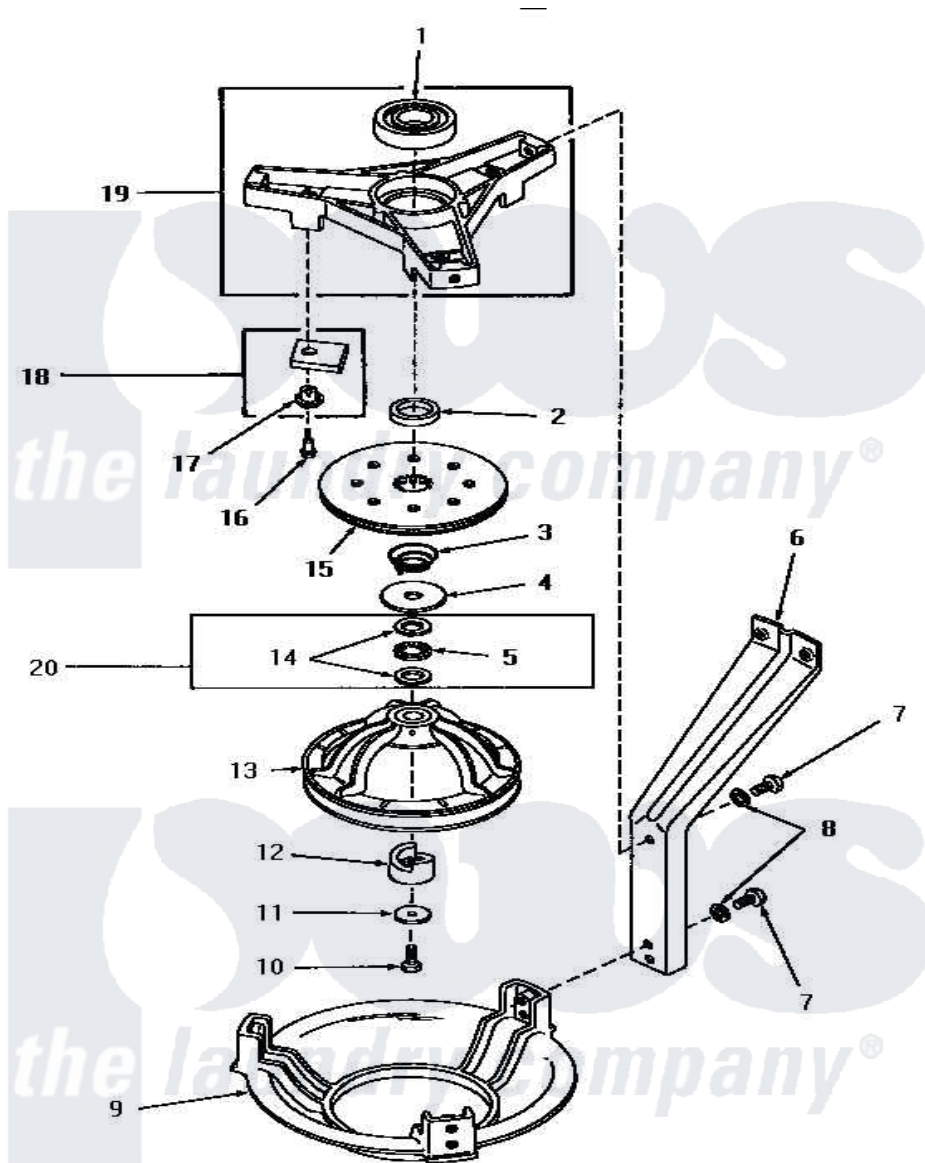


# Amana HA4500 04 - BRG HSG/BRAKE/PULLEY & PIVOT DOME



## BEARING HOUSING, BRAKE, PULLEY AND PIVOT DOME

Amana [Residential Amana HA4500 Washer Parts](#) Parts Diagram 04 - BRG HSG/BRAKE/PULLEY & PIVOT DOME

[Click on the part number to view part](#)

Item	Original Part Number	Replaced By	Status	Part Description
1	28944	<a href="#">40004001</a>		Bearing, Main
2	<a href="#">27176</a>			Spacer
3	27014	<a href="#">33435</a>		Spring, Conical
4	27015	<a href="#">40063201</a>		Washer, Flat
5	27025		Not Available	BEARING,NEEDLE THRUST
6	<a href="#">27090</a>			Leg, Support
7	30016	<a href="#">40128701</a>		Screw, 5/16-18 X .50
8	<a href="#">04366</a>			Lockwasher, 5/16intshkp
9	27124		Not Available	DOME,PIVOT
10	27220	<a href="#">40063401</a>		Screw, 1/4-20 x 5/8 Hex
11	26509	<a href="#">40041501</a>		Washer
12	<a href="#">27018</a>			Helix
13	30260	<a href="#">34232P</a>		Kit-Pulley
"	27111	<a href="#">34232P</a>		Kit-Pulley
14	27024		Not Available	NO LONGER AVAILABLE
15	26556	<a href="#">R9900474</a>		Brake Assembly

16	<a href="#">26547</a>		Screw, 10-24 Shoulder
17	<a href="#">29993</a>		Sleeve, Anti-Rotation
18	348P3	<a href="#">R9900543</a>	Pad-Brake
19	28913	<a href="#">35746</a>	AssembLy, Bearing Housing-L
20	Y0000000	Not Available	SEE NOTE BEARING RACE AND NEEDLE BEARING -- (USED THROUGH SERIAL NO.4U029469)

