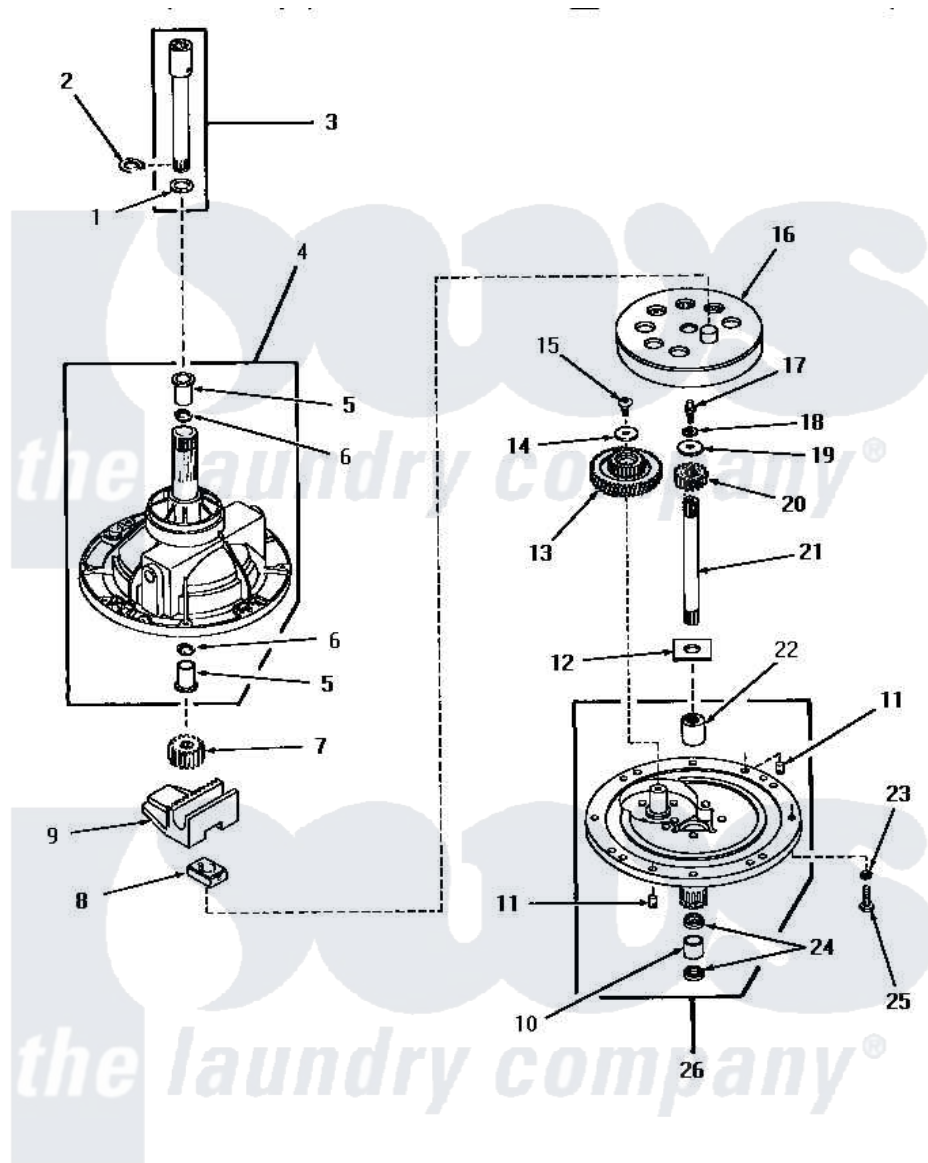


# Amana HA4510 02 - 30123 & 30946 TRANSMISSION ASSEMBLIES



## COMPONENTS FOR 30123 and 30946 TRANSMISSION ASSEMBLIES

Amana [Residential Amana HA4510 Washer Parts](#) Parts Diagram 02 - 30123 & 30946 TRANSMISSION ASSEMBLIES

[Click on the part number to view part](#)

Item	Original Part Number	Replaced By	Status	Part Description
1	Y00000000		Not Available	SEE NOTE SHIM WASHER -- (SEE NOTE)
2	<a href="#">27197</a>			Ring, Retaining
3	<a href="#">368P3</a>			Kit, Coupling And Shaft
4	28435		Not Available	TRANSMISSION CASE ASSEMBLY
5	27021		Not Available	BEARING
6	Y28114	<a href="#">40042701</a>		Seal- Oil
7	<a href="#">27003</a>			Pinion, Agitator
8	<a href="#">26493</a>			Slide
9	Y27001	<a href="#">Y31526</a>		Rack
10	<a href="#">27022</a>			Bearing
11	<a href="#">27172</a>			Pin, Dowel
12	<a href="#">27016</a>			Washer
13	<a href="#">29161</a>			Gear, Reduction
14	29260		Not Available	WASHER
15	<a href="#">29273</a>			Screw, 1/4-20 X 3/8

16	<a href="#">26577</a>		Assembly, Gear And Stud
17	27030	Not Available	SCREW, 1/4-20 SPECIAL
18	<a href="#">21456</a>		Lockwasher, 1/4 Intshkp
19	26509	<a href="#">40041501</a>	Washer
20	<a href="#">Y29160</a>		Pinion, Drive
21	27081	<a href="#">27081P</a>	Shaft Input Package
22	30893	<a href="#">WR2X4924</a>	Shim
23	<a href="#">02431</a>		Lockwasher, 1/4 Ext Shk
24	Y28114	<a href="#">40042701</a>	Seal- Oil
25	<a href="#">20253</a>		Screw, Cap-1/4-20 X 1"
26	30945	Not Available	ASSY, TRANSMISSION COVExREPLACE
NI	27243	<a href="#">27243P</a>	Oil, CW Transmission F-
"	28434P	Not Available	LOCTITE

*the laundry company*<sup>®</sup>

*the laundry company*<sup>®</sup>

*the laundry company*<sup>®</sup>