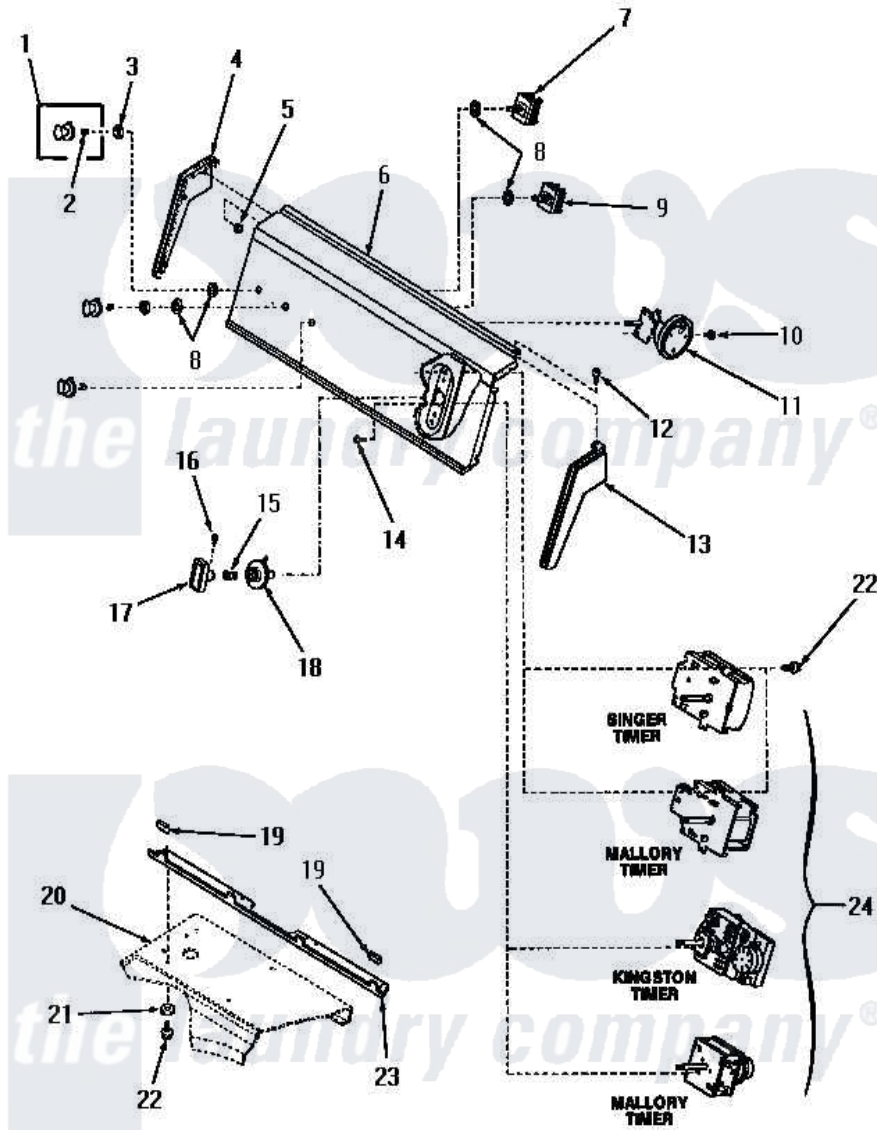


# Amana HA4511 06 - CONTROL PANEL & CONTROLS



**CONTROL PANEL AND CONTROLS**

Amana [Residential Amana HA4511 Washer Parts](#) Parts Diagram 06 - CONTROL PANEL & CONTROLS  
 Click on the part number to view part

Item	Original Part Number	Replaced By	Status	Part Description
"	NOTE:		Not Available	USE SHIM WASHER AS REQUIRED TO OBTAIN A MINIMUM OF .005 INCH TO A MAXIMUM OF .015 INCH CLEARANCE BETWEEN COUPLING AND FLANGED BEARING.
1	28124		Not Available	ASSY,KNOB-SWITCH
2	10519		Not Available	RETAINER
3	57584		Not Available	NUT
4	25124		Not Available	CONTROL HOOD END, LEFT
5	25126	<a href="#">5303284616</a>		Clip
6	28986		Not Available	CONTROL PANEL
"	28681		Not Available	SUB 43632-1
7	28118		Not Available	SWITCH,WATER TEMPERATU
8	<a href="#">91176</a>			Lockwasher, 3/8 Intshkp
10	23962	<a href="#">W10116760</a>		Screw
11	<a href="#">27778</a>			Switch, Pressure

12	25232	Not Available	SCREW,8AB-18X7/8 OVAL
13	25123	Not Available	CONTROL HOOD END, RIGHT
14	<a href="#">70212</a>		Screw, 8-32 X 5/32 RD H
15	<a href="#">26319</a>		Spring
16	<a href="#">26318</a>		Screw, 8-32 X 1/4 Set S
17	28748	Not Available	TIMER KNOB
18	28287	Not Available	TIMER KNOB INDICATOR
19	24859	Not Available	SLEEVE,SUPPORT ANGLE
20	Y00000000	Not Available	SEE NOTE CABINET TOP
21	<a href="#">20493</a>		Washer, 11/64 ID x 3/8 OD
22	23962	<a href="#">W10116760</a>	Screw
23	23360	Not Available	ANGLE
24	28917	Not Available	TIMER
"	<a href="#">28093</a>		Timer

