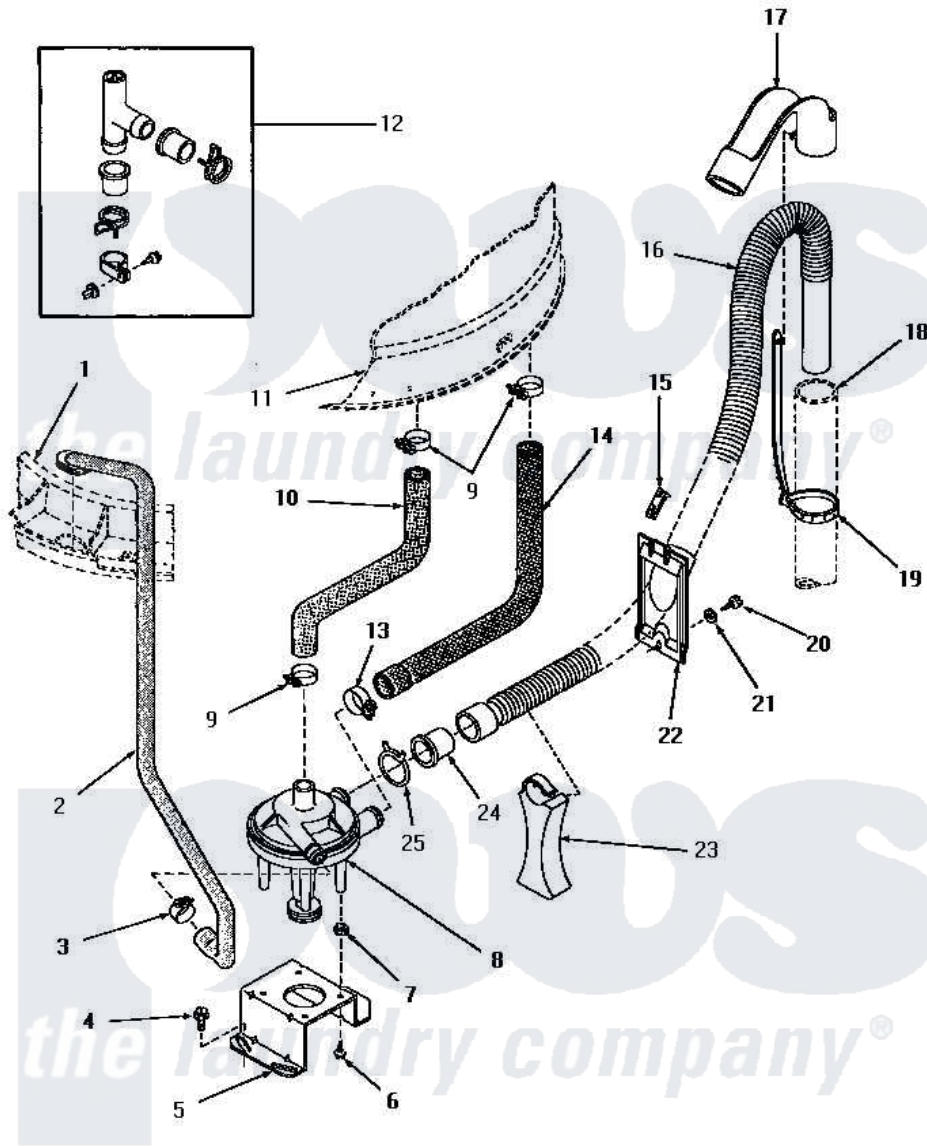


# Amana HA4511 19 - PUMP ASSY/BRKT/HOSES & SIPHON BREAK KIT



**PUMP ASSEMBLY, BRACKET, HOSES AND SIPHON BREAK KIT**  
(Models equipped with plastic drain hose)

Amana [Residential Amana HA4511 Washer Parts](#) Parts Diagram 19 - PUMP ASSY/BRKT/HOSES & SIPHON BREAK KIT

Click on the part number to view part

Item	Original Part Number	Replaced By	Status	Part Description
1	Y00000000		Not Available	SEE NOTE OUTER TUB COVER
2	27232		Not Available	HOSE
3	27644	<a href="#">285655</a>		Clamp, Hose
4	<a href="#">27157</a>			Screw, 10-24 X 5/8 Spec
5	<a href="#">27105</a>			Bracket, Pump Mounting
6	51784		Not Available	SCREW,10B-16 X 1/2 HEX
7	<a href="#">27063</a>			On-Sert
8	27065	<a href="#">31968</a>		Assembly, Pump NA
9	27151	<a href="#">285655</a>		Clamp, Hose
10	27159		Not Available	HOSE,TUB TO PUMP
11	Y00000000		Not Available	SEE NOTE OUTER TUB
12	386P3	<a href="#">76660</a>		Break-Sphn
13	27153	<a href="#">285655</a>		Clamp, Hose
14	27160		Not Available	HOSE,TUB TO PUMP-DRAIN
15	29936		Not Available	HOSE RETAINER CLIP

16	29142	<a href="#">39952</a>	Hose- Drai
17	29144	<a href="#">22003814</a>	Retainer, Drain Hose
18	Y00000000		Not Available SEE NOTE STANDPIPE
19	29999	<a href="#">8539404</a>	Tie-Wire
20	27196	<a href="#">27001200</a>	Screw
21	20492	<a href="#">M0270504</a>	Washer
22	29131		Not Available RETAINER,DIRECTIONAL
23	<a href="#">29284</a>		Stand, Hose
24	29143		Not Available HOSE,ADAPTER
25	29172		Not Available CLAMP,HOSE
NI	406P3	<a href="#">451P3</a>	Kit Drain Extension

**Howes**  
the laundry company®

**Howes**  
the laundry company®

**Howes**  
the laundry company®