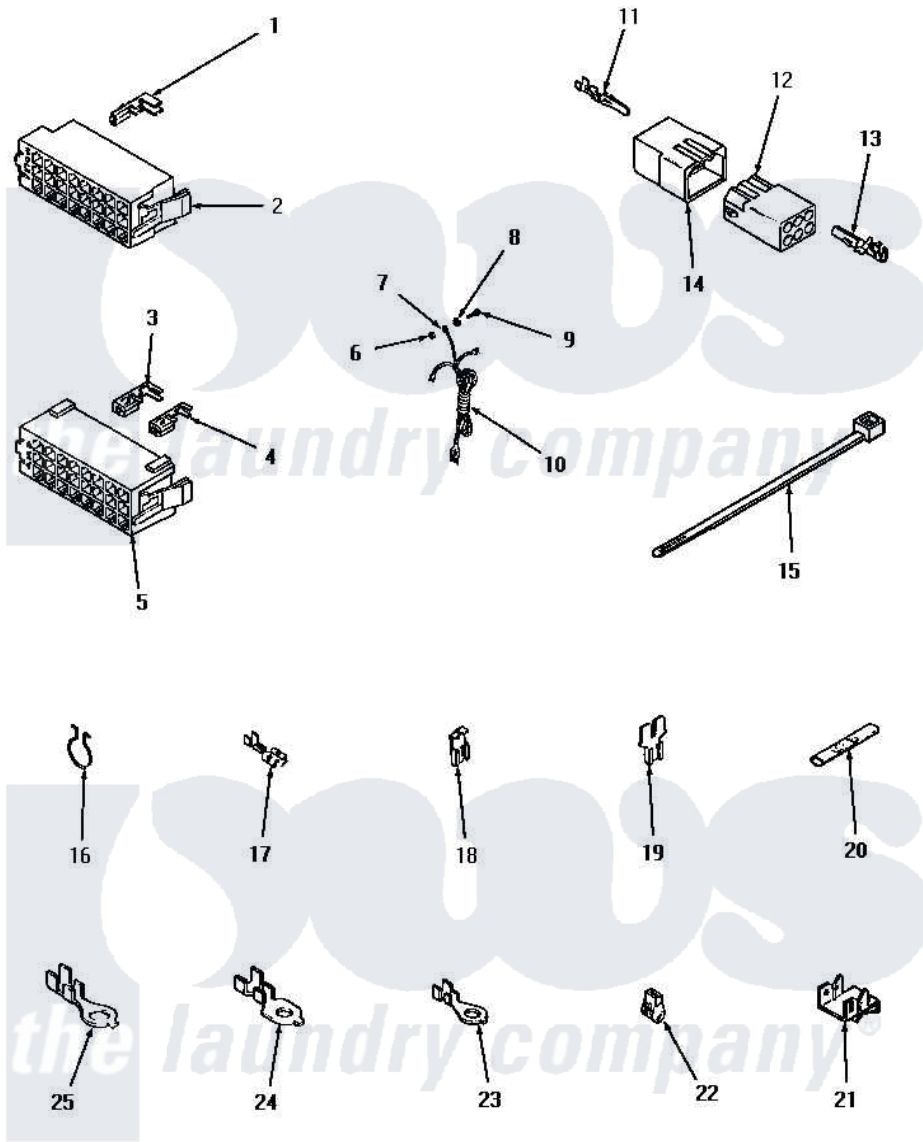


Amana HA5320 17 - POWER CORD & WIRE TERMINALS



POWER CORD AND WIRE TERMINALS

Amana [Residential Amana HA5320 Washer Parts](#) Parts Diagram 17 - POWER CORD & WIRE TERMINALS
 Click on the part number to view part

| Item | Original Part Number | Replaced By | Status | Part Description |
|------|------------------------|--------------------------|---------------|-----------------------------|
| 1 | 24176 | | Not Available | MOLEX TERMINAL |
| 2 | 24175 | 12500058 | | Knob Ski |
| 3 | 00183 | | Not Available | TERMINAL,FEMALE 2-WIRE |
| 4 | 00180 | | Not Available | TERMINAL,FEMALE |
| 5 | 28856 | | Not Available | HOUSING,24 POSITION |
| 6 | 03673 | | Not Available | NUT |
| 7 | Y00000000 | | Not Available | SEE NOTE GROUND WIRE, GREEN |
| 8 | 03815 | | | Lockwasher, No.10 Ext Shk |
| 9 | 20267 | | | Screw, 10-24 X 3/8 Round |
| 10 | 22660 | | Not Available | POWER CORD AND PLUG |
| 11 | Y00116 | | | Terminal, Pin-Male |
| 12 | 26708 | | | Receptacle, 6 Circuit |
| 13 | Y00117 | 5011-XX | | 093 Female Socket |
| 14 | 23041 | | | Plug, 6 Circuit |
| 15 | 55881 | M0321209 | | Tie-Electrical |
| 16 | 51291 | | | Clip, Wire |

| | | | | |
|----|------------------------|--------------------------|---------------|---|
| 17 | Y00119 | | Not Available | SPADE TERMINAL(18 GAUGE) (1/4 INCH-(1) 18 GAUGE WIRE) |
| 18 | Y00120 | | | Terminal, Flag-1/4 Fema |
| 19 | 29673 | | Not Available | DOUBLE CONNECTOR |
| 20 | 21091 | | Not Available | CONNECTOR TWO 1/4 INCH MALE |
| 21 | Y00161 | B5733302 | | Clip, Ground |
| 22 | 70210 | | Not Available | INSULATOR,BLUE |
| 23 | 00110 | | | No.10 18 Gauge Wire |
| 24 | Y00111 | | | Ring Terminal No.10 No.10 18 Gauge Wires Or |
| 25 | Y00113 | | Not Available | TERMINAL,RING-1/4 STUD |

the laundry company[®]

the laundry company[®]

the laundry company[®]