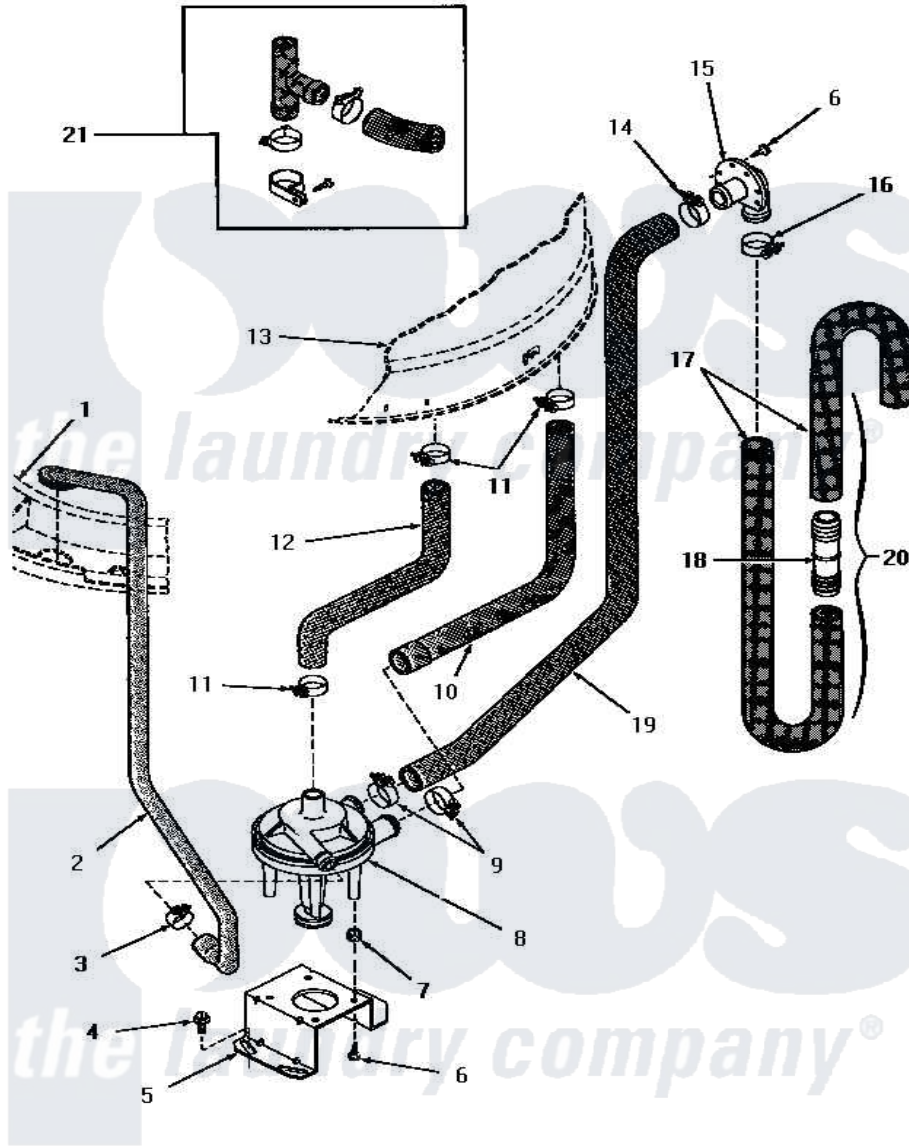


# Amana HA5320 18 - PUMP ASSY/BRKT/HOSES & SIPHON BREAK KIT



**PUMP ASSEMBLY, BRACKET, HOSES AND SIPHON BREAK KIT**  
(Models equipped with rubber drain hose)

Amana [Residential Amana HA5320 Washer Parts](#) Parts Diagram 18 - PUMP ASSY/BRKT/HOSES & SIPHON BREAK KIT

[Click on the part number to view part](#)

| Item | Original Part Number  | Replaced By            | Status        | Part Description         |
|------|-----------------------|------------------------|---------------|--------------------------|
| 1    | Y00000000             |                        | Not Available | SEE NOTE OUTER TUB COVER |
| 2    | 27232                 |                        | Not Available | HOSE                     |
| 3    | 27644                 | <a href="#">285655</a> |               | Clamp, Hose              |
| 4    | <a href="#">27157</a> |                        |               | Screw, 10-24 X 5/8 Spec  |
| 5    | <a href="#">27105</a> |                        |               | Bracket, Pump Mounting   |
| 6    | 51784                 |                        | Not Available | SCREW,10B-16 X 1/2 HEX   |
| 7    | <a href="#">27063</a> |                        |               | On-Sert                  |
| 8    | 27065                 | <a href="#">31968</a>  |               | Assembly, Pump NA        |
| 9    | 27153                 | <a href="#">285655</a> |               | Clamp, Hose              |
| 10   | 27160                 |                        | Not Available | HOSE,TUB TO PUMP-DRAIN   |
| 11   | 27151                 | <a href="#">285655</a> |               | Clamp, Hose              |
| 12   | 27159                 |                        | Not Available | HOSE,TUB TO PUMP         |
| 13   | Y00000000             |                        | Not Available | SEE NOTE OUTER TUB       |
| 14   | 20391                 | <a href="#">285655</a> |               | Clamp, Hose              |
| 15   | 23553                 |                        | Not Available | ELBOW,DRAIN HOSE-PLAST   |

|    |                       |                        |   |
|----|-----------------------|------------------------|---|
| 16 | 20211                 | <a href="#">285655</a> | Clamp, Hose   |
| 17 | <a href="#">28293</a> |                        | Hose, Drain   |
| 18 | 25863                 | <a href="#">16272</a>  | Connector, Straight   |
| 19 | <a href="#">27161</a> |                        | Hose, Pump To Drain Val   |
| 20 | Y00000000             |                        | Not Available<br>SEE NOTE DRAIN HOSE<br>AND HOSE COUPLER --<br>(SEE NOTE 1) |
| 21 | 297P3                 | <a href="#">76660</a>  | Break-Sphn  |

