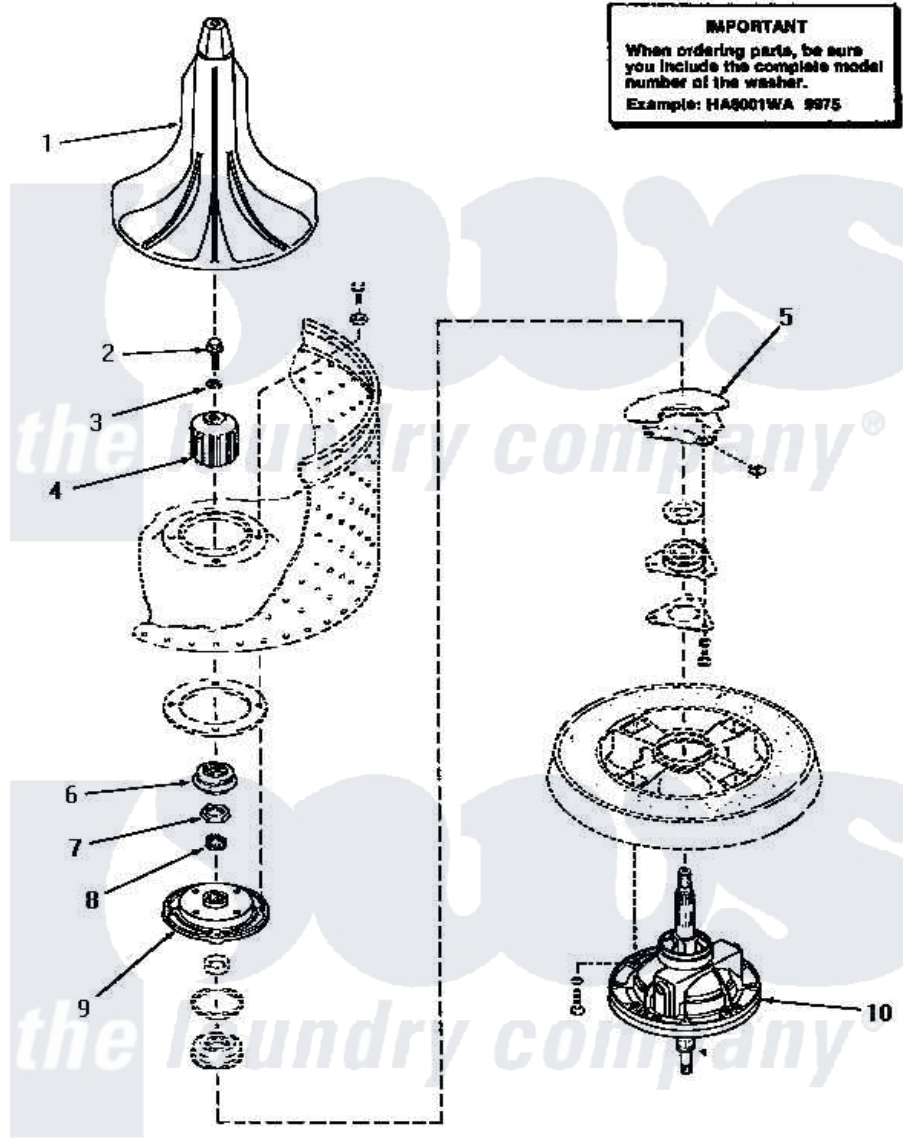


Amana HA5590 20 - SHORT POST DRIVE (ADDITION)



SHORT POST DRIVE

Amana [Residential Amana HA5590 Washer Parts](#) Parts Diagram 20 - SHORT POST DRIVE (ADDITION)

[Click on the part number to view part](#)

Item	Original Part Number	Replaced By	Status	Part Description
1	30855	40000501W		Agitator, Flex Vane
2	30852			Screw, No.8-1/4 X 20 X 3/
3	30853		Not Available	SEAL
4	30071	R9900189		Kit, Drive Bell And Seal
5	Y00000000		Not Available	SEE NOTE OUTER TUB
6	30022		Not Available	ASSY,SEAL-HEAD xREPLACE
7	Y29220	40016301		Nut, Lock
8	29728	40008301		Insert, Spline
9	30034		Not Available	HUB ASSEMBLY
10	30848	33227P		Assembly- Tran
"	33227	33227P		Assembly- Tran