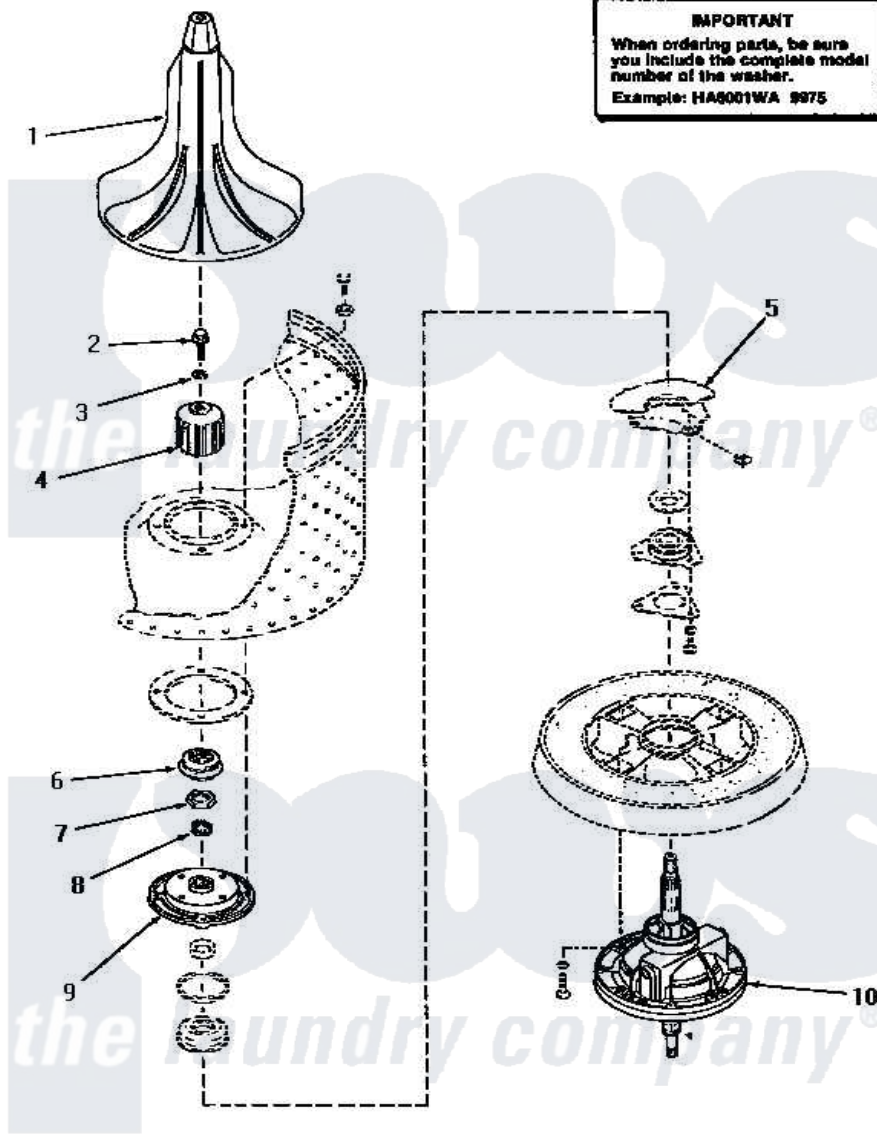


# Amana HA6471 20 - SHORT POST DRIVE (ADDITION)



## SHORT POST DRIVE

Amana [Residential Amana HA6471 Washer Parts](#) Parts Diagram 20 - SHORT POST DRIVE (ADDITION)  
 Click on the part number to view part

| Item | Original Part Number  | Replaced By               | Status        | Part Description           |
|------|-----------------------|---------------------------|---------------|----------------------------|
| 1    | 30855                 | <a href="#">40000501W</a> |               | Agitator, Flex Vane        |
| 2    | <a href="#">30852</a> |                           |               | Screw, No.8-1/4 X 20 X 3/  |
| 3    | 30853                 |                           | Not Available | SEAL                       |
| 4    | 30071                 | <a href="#">R9900189</a>  |               | Kit, Drive Bell And Seal   |
| 5    | Y00000000             |                           | Not Available | SEE NOTE OUTER TUB         |
| 6    | 30022                 |                           | Not Available | ASSY,SEAL-HEAD<br>xREPLACE |
| 7    | Y29220                | <a href="#">40016301</a>  |               | Nut, Lock                  |
| 8    | 29728                 | <a href="#">40008301</a>  |               | Insert, Spline             |
| 9    | 30034                 |                           | Not Available | HUB ASSEMBLY               |
| 10   | 30848                 | <a href="#">33227P</a>    |               | Assembly- Tran             |
| "    | 33227                 | <a href="#">33227P</a>    |               | Assembly- Tran             |