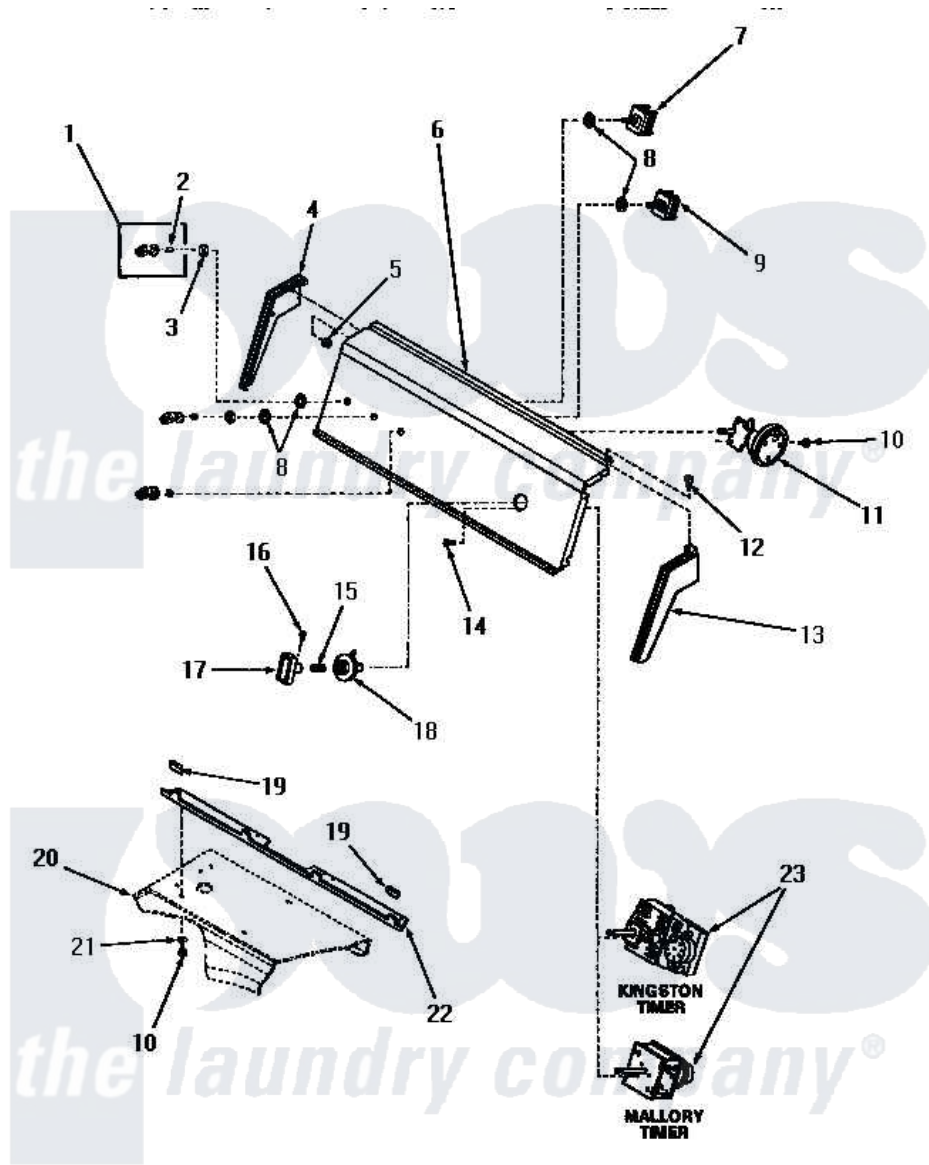


# Amana HA7221 06 - CONTROL PANEL & CONTROLS



## CONTROL PANEL AND CONTROLS

Amana [Residential Amana HA7221 Washer Parts](#) Parts Diagram 06 - CONTROL PANEL & CONTROLS  
 Click on the part number to view part

| Item | Original Part Number  | Replaced By                | Status        | Part Description  |
|------|-----------------------|----------------------------|---------------|---|
| "    | NOTE:                 |                            | Not Available | 1. IF DRAIN HOSE MUST BE SHORTENED, CUT HOSE BETWEEN MOLDED END AND MOLDED ELBOW. USE ONE NO. 25863 HOSE COUPLING TO SPLICE HOSE. |
| 1    | 27379                 |                            | Not Available | ASSY,KNOB-SWITCH  |
| 2    | 10519                 |                            | Not Available | RETAINER  |
| 3    | 57584                 |                            | Not Available | NUT   |
| 4    | 25124                 |                            | Not Available | CONTROL HOOD END, LEFT  |
| 5    | 25126                 | <a href="#">5303284616</a> |               | Clip  |
| 6    | 27902                 | <a href="#">300838</a>     |               | Lint Screen   |
| 7    | 24392                 |                            | Not Available | SWITCH TEMP   |
| 8    | <a href="#">91176</a> |                            |               | Lockwasher, 3/8 Intshkp   |
| 9    | 27500                 |                            | Not Available | SWITCH,SPEED SELECTOR   |
| 10   | 23962                 | <a href="#">W10116760</a>  |               | Screw   |
| 11   | <a href="#">27778</a> |                            |               | Switch, Pressure  |
| 12   | 25232                 |                            | Not Available | SCREW,8AB-18X7/8 OVAL   |

|    |                       |                        |                            |
|----|-----------------------|------------------------|----------------------------|
| 13 | 25123                 | Not Available          | CONTROL HOOD END,<br>RIGHT |
| 14 | <a href="#">70212</a> |                        | Screw, 8-32 X 5/32 RD H    |
| 15 | <a href="#">26319</a> |                        | Spring                     |
| 16 | <a href="#">26318</a> |                        | Screw, 8-32 X 1/4 Set S    |
| 17 | 27382                 | Not Available          | TIMER KNOB                 |
| 18 | 28287                 | Not Available          | TIMER KNOB INDICATOR       |
| 19 | 24859                 | Not Available          | SLEEVE,SUPPORT ANGLE       |
| 20 | Y00000000             | Not Available          | SEE NOTE CABINET TOP       |
| 21 | <a href="#">20493</a> |                        | Washer, 11/64 ID x 3/8 OD  |
| 22 | 23360                 | Not Available          | ANGLE                      |
| 23 | 27693                 | <a href="#">27693R</a> | Timer                      |

*the laundry company*<sup>®</sup>

*the laundry company*<sup>®</sup>

*the laundry company*<sup>®</sup>