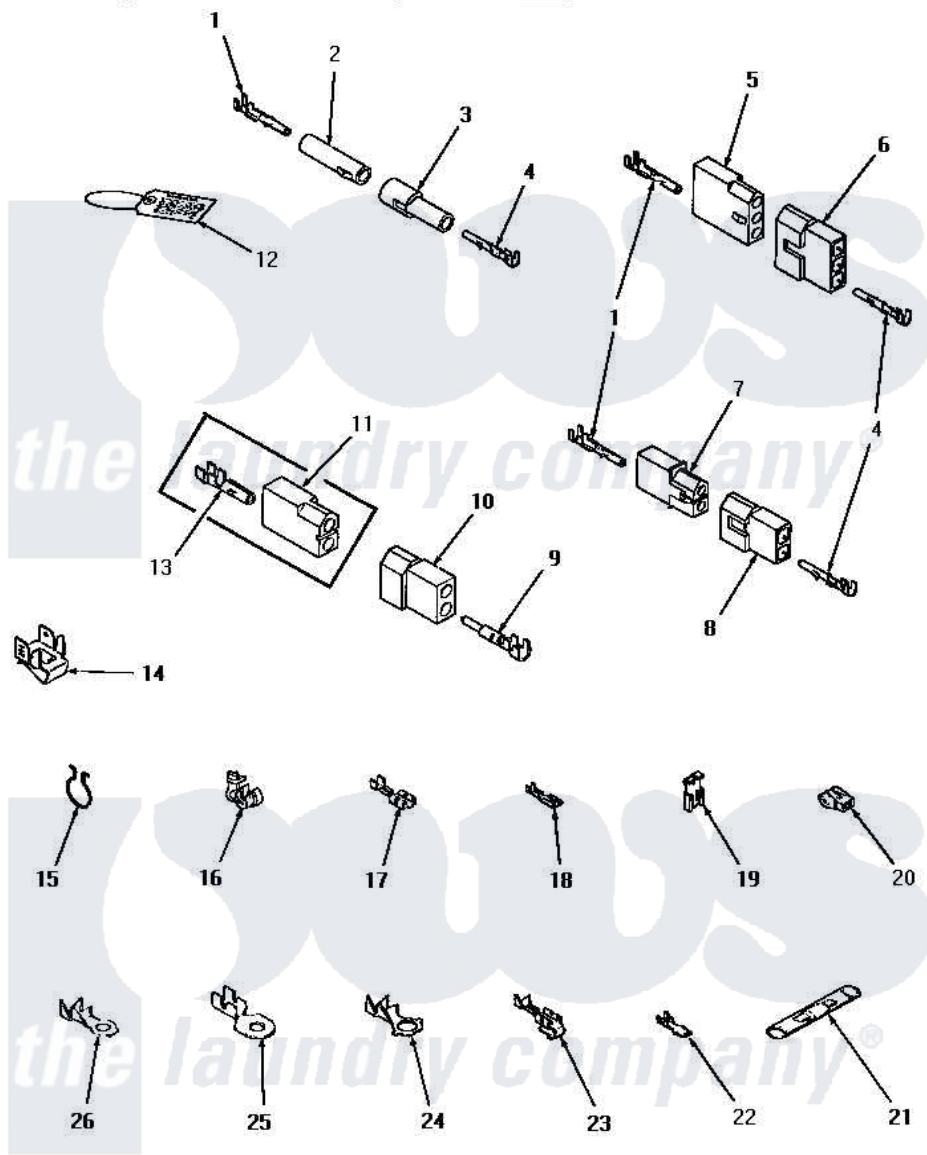


# Amana HE2250 10 - POWER CORD & TERMINALS



## POWER CORD AND TERMINALS

Amana [Residential Amana HE2250 Washer Parts](#) Parts Diagram 10 - POWER CORD & TERMINALS

[Click on the part number to view part](#)

Item	Original Part Number	Replaced By	Status	Part Description
1	Y00117	<a href="#">5011-XX</a>		093 Female Socket
2	<a href="#">26301</a>			Receptacle, Molex
3	26302		Not Available	PLUG, 1 CIRCUIT
4	<a href="#">Y00116</a>			Terminal, Pin-Male
5	23039	<a href="#">697780</a>		Receptacle,
6	<a href="#">23040</a>			Plug-3 Circuit
7	<a href="#">56451</a>			Receptacle, 2 Circuit
8	<a href="#">56448</a>			Terminal Block Plug
9	<a href="#">Y00127</a>			Terminal, Pin-1/8 Male
10	<a href="#">56266</a>			Plug
11	<a href="#">56265</a>			Receptacle, 2 Circuit
12	25235	<a href="#">48301</a>		Hose
13	<a href="#">00130</a>			Terminal, Pin-1/8 Femal
14	Y00161	<a href="#">B5733302</a>		Clip, Ground
15	<a href="#">51291</a>			Clip, Wire
16	21903	<a href="#">211881</a>		Grommet, Cord Part Not Used-Gas Models Only

17	Y00119	Not Available	SPADE TERMINAL(18 GAUGE) (1/4 INCH-(1) 18 GAUGE WIRE)
18	<a href="#">00112</a>		Terminal, Spade-3/16 Fe
19	<a href="#">Y00120</a>		Terminal, Flag-1/4 Fema
20	70210	Not Available	INSULATOR,BLUE
21	21091	Not Available	CONNECTOR TWO 1/4 INCH MALE
22	Y00139	<a href="#">Y00138</a>	Male Tab Terminal 18 Gauge Wire)
23	<a href="#">Y00114</a>		Spade Terminal
24	Y00113	Not Available	TERMINAL,RING-1/4 STUD
25	<a href="#">Y00111</a>		Ring Terminal No.10 No.10 18 Gauge Wires Or
26	<a href="#">00110</a>		No.10 18 Gauge Wire

*the laundry company*<sup>®</sup>

**Joos**  
*the laundry company*<sup>®</sup>

**Joos**  
*the laundry company*<sup>®</sup>