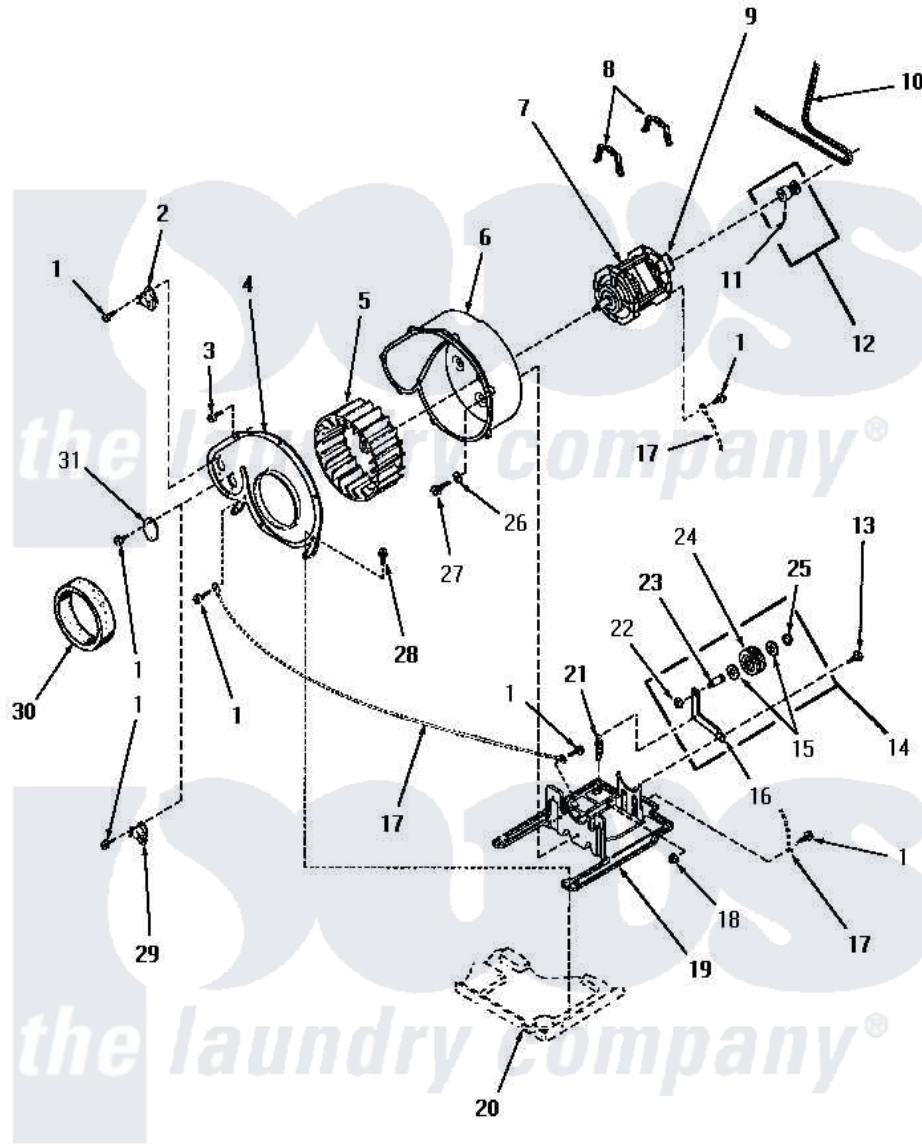


# Amana HE5003 09 - MOTOR, EXHAUST FAN & BELT



## MOTOR, EXHAUST FAN AND BELT

Amana [Residential Amana HE5003 Dryer Parts](#) Parts Diagram 09 - MOTOR, EXHAUST FAN & BELT  
 Click on the part number to view part

| Item | Original Part Number  | Replaced By               | Status        | Part Description                       |
|------|-----------------------|---------------------------|---------------|--|
| 1    | 23222                 | <a href="#">3177991</a>   |               | Screw                                  |
| 2    | <a href="#">56410</a> |                           |               | Thermostat                             |
| 3    | 23962                 | <a href="#">W10116760</a> |               | Screw                                  |
| 4    | 56059                 |                           | Not Available | EXHAUST FAN IMPELLER                   |
| 5    | 56000                 | <a href="#">510139P</a>   |               | Assembly Blower Fan Package            |
| 6    | <a href="#">56020</a> |                           |               | Housing, Blower                        |
| 7    | 56075                 | <a href="#">915P3</a>     |               | Motor-Drive                            |
| "    | Y58044                | <a href="#">915P3</a>     |               | Motor-Drive                            |
| 8    | Y58047                | <a href="#">660658</a>    |               | Clamp, Motor Mounting<br>343481 685441 |
| 9    | 53226                 |                           | Not Available | SWITCH,MOTOR                           |
| "    | 53249                 |                           | Not Available | SWITCH                                 |
| 10   | 56095                 | <a href="#">56095P</a>    |               | Belt Cylinder Package                  |
| 11   | 52906                 |                           | Not Available | SETSCREW                               |
| 12   | 56133                 | <a href="#">56062P</a>    |               | Kit-Motor                              |
| 13   | <a href="#">52567</a> |                           |               | Bolt, Shoulder                         |

|    |                        |                          |               |                             |
|----|------------------------|--------------------------|---------------|-----------------------------|
| "  | 56587                  |                          | Not Available | SCREW, 1/4-20 HEX HD SH     |
| 14 | Y56170                 | <a href="#">56170P</a>   |               | Assembly- Idle              |
| 15 | <a href="#">52549</a>  |                          |               | Washer, 501 ID X3/4 Odx     |
| 16 | 56057                  |                          | Not Available | LEVER, IDLER                |
| 17 | Y00000000              |                          | Not Available | SEE NOTE GROUND WIRE, GREEN |
| 18 | 52566                  | <a href="#">27001225</a> |               | Nut, Jam Mid Lock 1/4-20    |
| 19 | Y58045                 | <a href="#">503613</a>   |               | Mount, Motor                |
| 20 | Y00000000              |                          | Not Available | SEE NOTE BASE               |
| 21 | <a href="#">56076</a>  |                          |               | Spring, Idler               |
| 22 | 56156                  | <a href="#">358160</a>   |               | Nut                         |
| 23 | <a href="#">56461</a>  |                          |               | Shaft                       |
| 24 | <a href="#">Y54414</a> |                          |               | Assembly, Wheel And Bearing |
| 25 | <a href="#">23748</a>  |                          |               | Ring, Retaining             |
| 26 | 20492                  | <a href="#">M0270504</a> |               | Washer                      |
| 27 | 56264                  | <a href="#">27001200</a> |               | Screw                       |
| 28 | 25723                  | <a href="#">27001200</a> |               | Screw                       |
| 29 | 56081                  | <a href="#">56081LAL</a> |               | Ridig Door Stop             |
| "  | 56471                  |                          | Not Available | THERMOSTAT                  |
| 30 | 56065                  |                          | Not Available | SEAL                        |
| 31 | Y0056157               |                          | Not Available | SUB 86495, SWITCH, LIGHT    |

