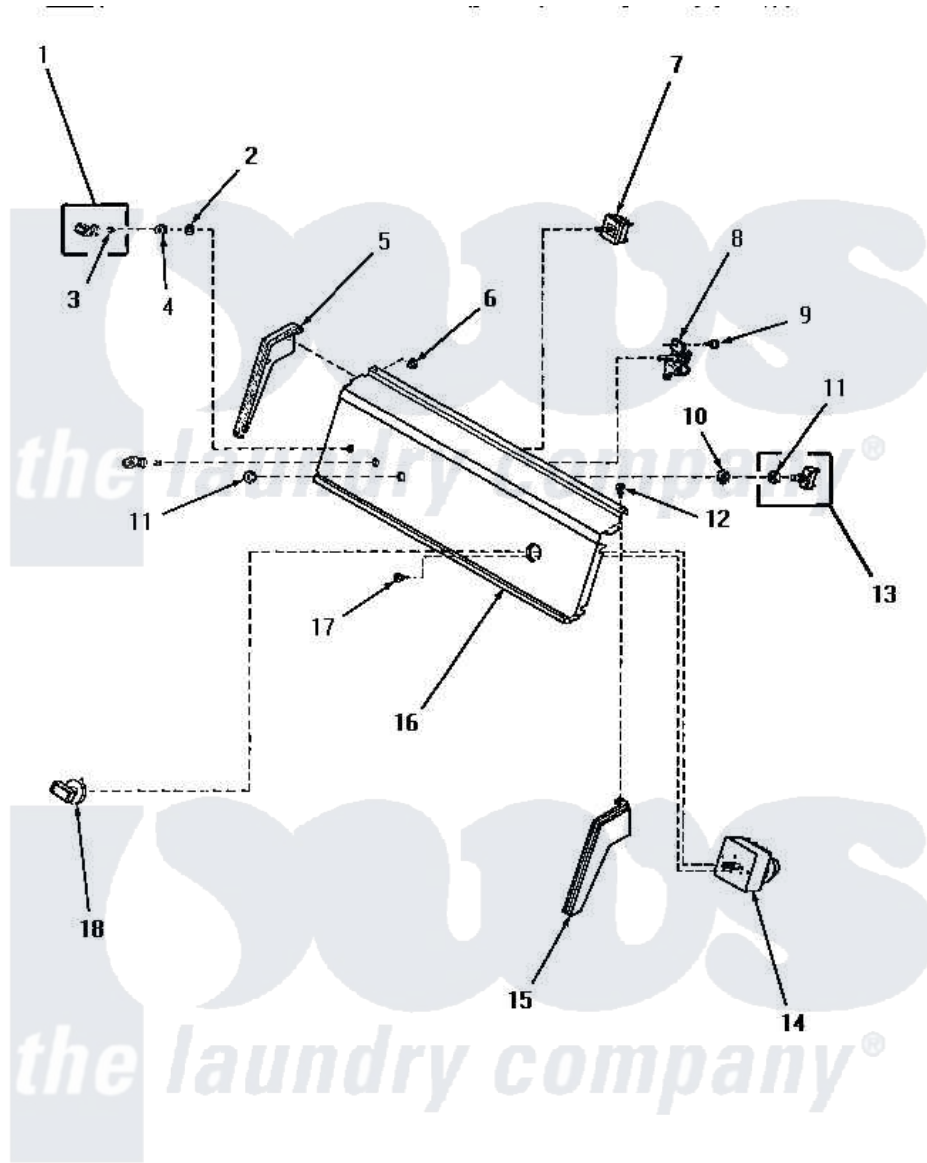


# Amana HG2090 05 - CONTROL PANEL & CONTROLS



## CONTROL PANEL AND CONTROLS

Amana [Residential Amana HG2090 Dryer Parts](#) Parts Diagram 05 - CONTROL PANEL & CONTROLS  
 Click on the part number to view part

Item	Original Part Number	Replaced By	Status	Part Description
"	NOTE:		Not Available	THE 56225 GAS VALVE HAS BEEN REPLACED BY THE 58804 GAS VALVE--SEE PAGES 14, 15.
1	<a href="#">26816</a>			Assembly, Knob-Switch
2	<a href="#">91176</a>			Lockwasher, 3/8 Intshkp
3	10519		Not Available	RETAINER
4	<a href="#">24205</a>			Nut, Knurled 3/8-24
5	25124		Not Available	CONTROL HOOD END, LEFT
6	25126	<a href="#">5303284616</a>		Clip
7	Y58032	<a href="#">58032</a>		Switch
"	52623	<a href="#">58032</a>		Switch
8	53516		Not Available	BUZZER
9	55985	<a href="#">W10116760</a>		Screw
10	25820		Not Available	LOCKWASHER, 1/2 INT SHK
11	<a href="#">52947</a>			Nut, Hex 15/32-32
12	25232		Not Available	SCREW, 8AB-18X7/8 OVAL

13	55882	<a href="#">55882P</a>	Assembly- Switch	
14	52594		Not Available	TIMER
15	25123		Not Available	CONTROL HOOD END, RIGHT
16	0056821		Not Available	CLIP, MULLION HEATER
17	<a href="#">70212</a>			Screw, 8-32 X 5/32 RD H
18	56508		Not Available	ASSY,KNOB-TIMER

