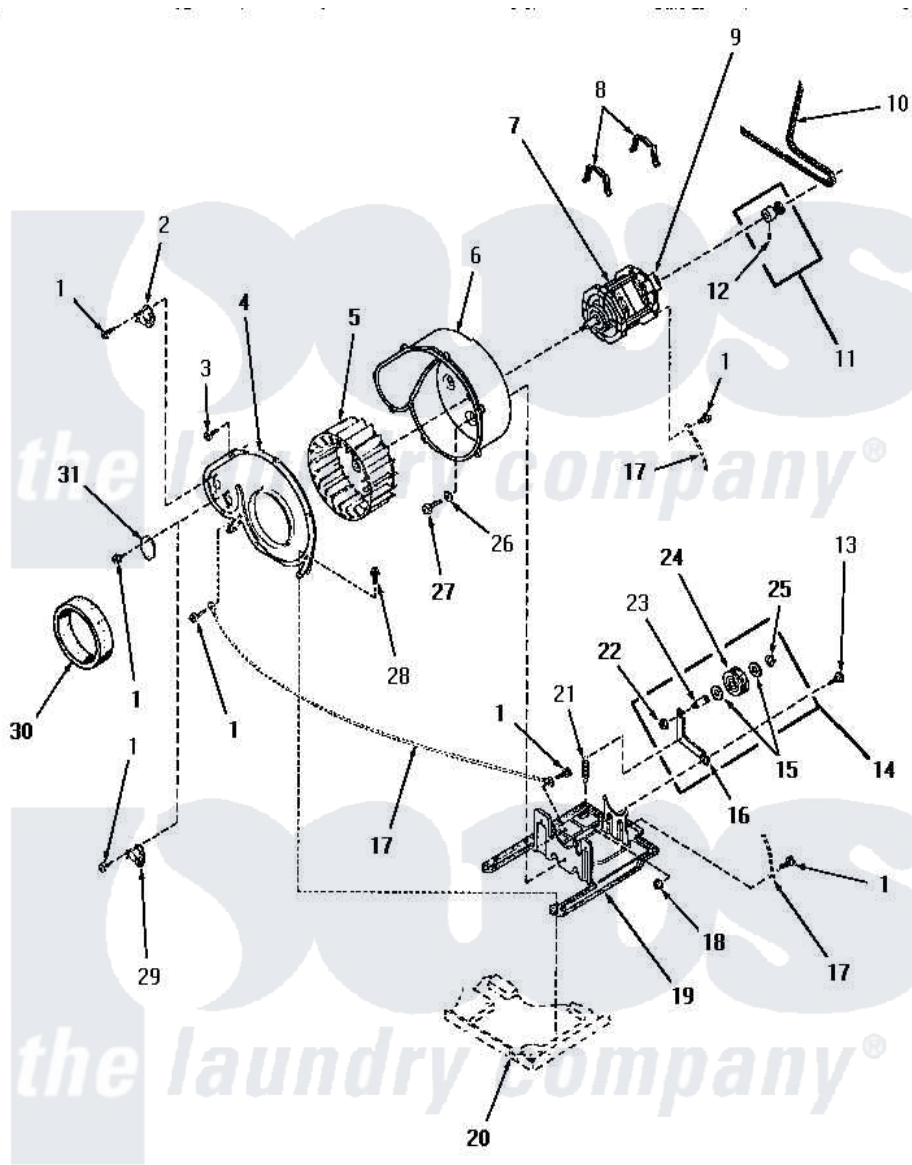


Amana HG4390 13 - MOTOR, EXHAUST FAN & BELT



MOTOR, EXHAUST FAN AND BELT

Amana Residential Amana HG4390 Dryer Parts Parts Diagram 13 - MOTOR, EXHAUST FAN & BELT

[Click on the part number to view part](#)

| Item | Original Part Number | Replaced By | Status | Part Description |
|------|-----------------------|---------------------------|---------------|--|
| 1 | 23222 | 3177991 | | Screw |
| 2 | 56410 | | | Thermostat |
| 3 | 23962 | W10116760 | | Screw |
| 4 | 56059 | | Not Available | EXHAUST FAN IMPELLER |
| 5 | 56000 | 510139P | | Assembly Blower Fan Package |
| 6 | 56020 | | | Housing, Blower |
| 7 | 56075 | 915P3 | | Motor-Drive |
| " | Y58044 | 915P3 | | Motor-Drive |
| 8 | Y58047 | 660658 | | Clamp, Motor Mounting 343481 685441 |
| 9 | 53226 | | Not Available | SWITCH,MOTOR |
| " | 53249 | | Not Available | SWITCH |
| 10 | 56095 | 56095P | | Belt Cylinder Package |
| 11 | 56133 | 56062P | | Kit-Motor |
| 12 | 52906 | | Not Available | SETSCREW |
| 13 | 52567 | | | Bolt, Shoulder |

| | | | | |
|----|------------------------|--------------------------|---------------|-----------------------------|
| " | 56587 | | Not Available | SCREW, 1/4-20 HEX HD SH |
| 14 | Y56170 | 56170P | | Assembly- Idle |
| 15 | 52549 | | | Washer, 501 ID X3/4 Odx |
| 16 | 56057 | | Not Available | LEVER, IDLER |
| 17 | Y00000000 | | Not Available | SEE NOTE GROUND WIRE, GREEN |
| 18 | 52566 | 27001225 | | Nut, Jam Mid Lock 1/4-20 |
| 19 | Y58045 | 503613 | | Mount, Motor |
| 20 | Y00000000 | | Not Available | SEE NOTE BASE |
| 21 | 56076 | | | Spring, Idler |
| 22 | 56156 | 358160 | | Nut |
| 23 | 56461 | | | Shaft |
| 24 | Y54414 | | | Assembly, Wheel And Bearing |
| 25 | 23748 | | | Ring, Retaining |
| 26 | 20492 | M0270504 | | Washer |
| 27 | 56264 | 27001200 | | Screw |
| 28 | 25723 | 27001200 | | Screw |
| 29 | 56081 | 56081LAL | | Ridig Door Stop |
| " | 56471 | | Not Available | THERMOSTAT |
| 30 | 56065 | | Not Available | SEAL |
| 31 | Y0056157 | | Not Available | SUB 86495, SWITCH, LIGHT |

