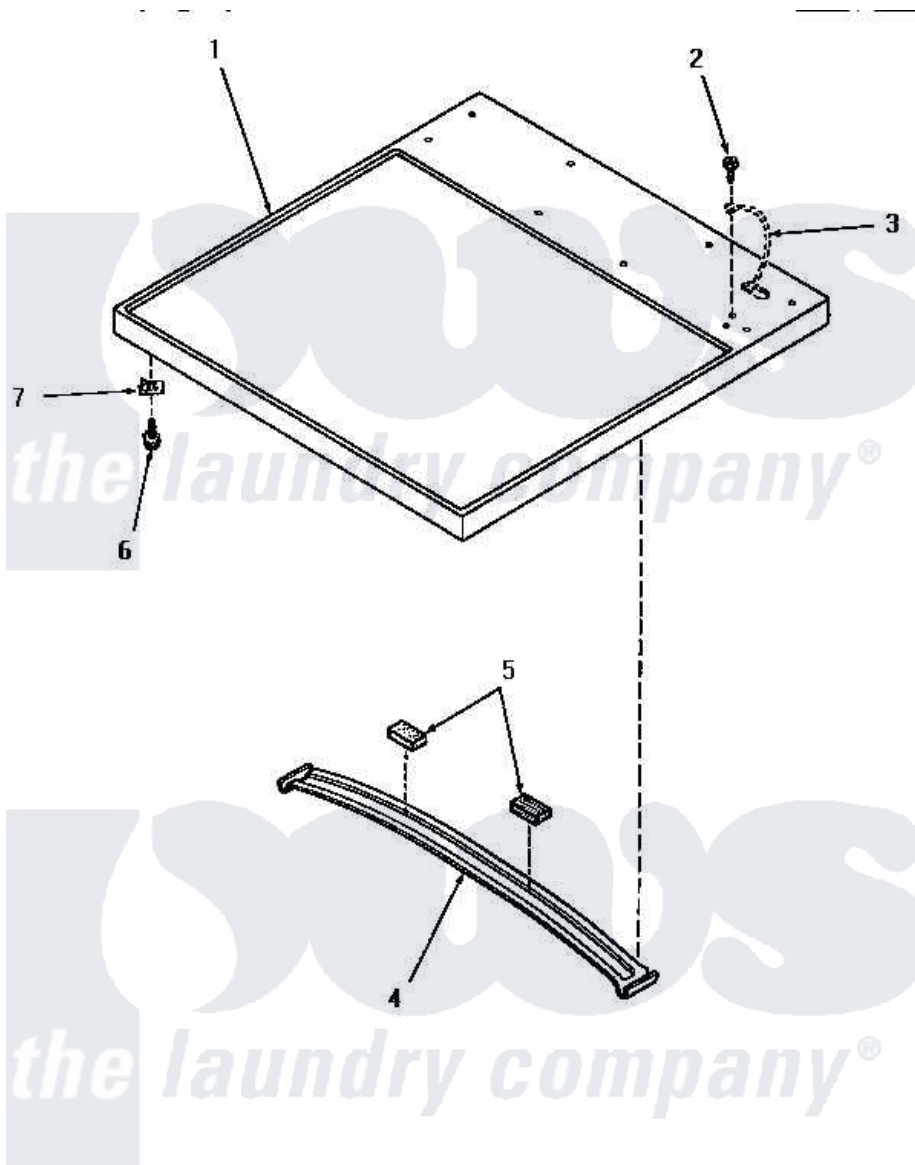


# Amana HG4509 02 - CABINET TOP



## CABINET TOP

Amana [Residential Amana HG4509 Washer Parts](#) Parts Diagram 02 - CABINET TOP

[Click on the part number to view part](#)

| Item | Original Part Number  | Replaced By           | Status        | Part Description                    |
|------|-----------------------|-----------------------|---------------|-------------------------------------|
| 1    | 0057066               |                       | Not Available | SUB 56767,OVERLOAD                  |
| "    | 57066W                |                       | Not Available | ASSY, TOP PANEL-<br>DOMESTIXREPLACE |
| "    | 57066L                |                       | Not Available | ASSY, TOP PANEL-DOMESTI             |
| "    | 57066K                |                       | Not Available | CABINET TOP, COFFEE                 |
| "    | 57066A                |                       | Not Available | CABONET TOP, AVOCADO                |
| 2    | 51784                 |                       | Not Available | SCREW, 10B-16 X 1/2 HEX             |
| 3    | Y00000000             |                       | Not Available | SEE NOTE GROUND WIRE,<br>GREEN      |
| 4    | 56213                 |                       | Not Available | TOP BRACE                           |
| 5    | 56968                 |                       | Not Available | PAD, FELT-ADHESIVE BACK             |
| 6    | <a href="#">23008</a> |                       |               | Screw, 10-24 X 3/4 Sems             |
| 7    | 20249                 | <a href="#">36020</a> |               | Nut-10-24                           |