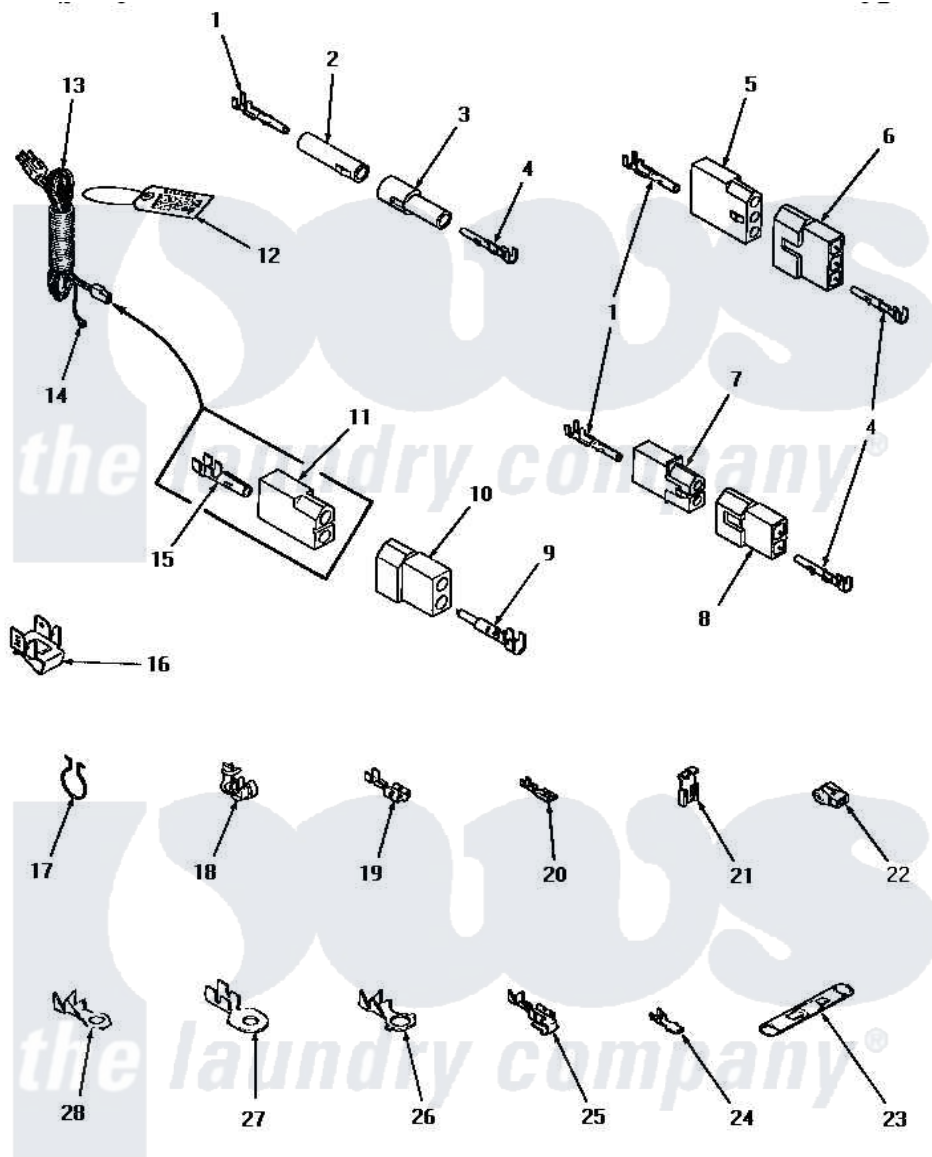


# Amana HG5009 14 - POWER CORD & TERMINALS



## POWER CORD AND TERMINALS

Amana [Residential Amana HG5009 Dryer Parts](#) Parts Diagram 14 - POWER CORD & TERMINALS  
 Click on the part number to view part

| Item | Original Part Number   | Replaced By              | Status        | Part Description            |
|------|------------------------|--------------------------|---------------|-----------------------------|
| 1    | Y00117                 | <a href="#">5011-XX</a>  |               | 093 Female Socket           |
| 2    | <a href="#">26301</a>  |                          |               | Receptacle, Molex           |
| 3    | 26302                  |                          | Not Available | PLUG,1 CIRCUIT              |
| 4    | <a href="#">Y00116</a> |                          |               | Terminal, Pin-Male          |
| 5    | 23039                  | <a href="#">697780</a>   |               | Receptacle,                 |
| 6    | <a href="#">23040</a>  |                          |               | Plug-3 Circuit              |
| 7    | <a href="#">56451</a>  |                          |               | Receptacle, 2 Circuit       |
| 8    | <a href="#">56448</a>  |                          |               | Terminal Block Plug         |
| 9    | <a href="#">Y00127</a> |                          |               | Terminal, Pin-1/8 Male      |
| 10   | <a href="#">56266</a>  |                          |               | Plug                        |
| 11   | <a href="#">56265</a>  |                          |               | Receptacle, 2 Circuit       |
| 12   | 25235                  | <a href="#">48301</a>    |               | Hose                        |
| 13   | Y56222                 | <a href="#">27001142</a> |               | Cord, Power                 |
| 14   | Y00000000              |                          | Not Available | SEE NOTE GROUND WIRE, GREEN |
| 15   | <a href="#">00130</a>  |                          |               | Terminal, Pin-1/8 Femal     |
| 16   | Y00161                 | <a href="#">B5733302</a> |               | Clip, Ground                |

|    |                        |                        |   |
|----|------------------------|------------------------|---|
| 17 | <a href="#">51291</a>  |                        | Clip, Wire  |
| 18 | 21903                  | <a href="#">211881</a> | Grommet, Cord Part Not Used-Gas Models Only           |
| 19 | Y00119                 | Not Available          | SPADE TERMINAL(18 GAUGE) (1/4 INCH-(1) 18 GAUGE WIRE) |
| 20 | <a href="#">00112</a>  |                        | Terminal, Spade-3/16 Fe                               |
| 21 | <a href="#">Y00120</a> |                        | Terminal, Flag-1/4 Fema                               |
| 22 | 70210                  | Not Available          | INSULATOR,BLUE  |
| 23 | 21091                  | Not Available          | CONNECTOR TWO 1/4 INCH MALE                           |
| 24 | Y00139                 | <a href="#">Y00138</a> | Male Tab Terminal 18 Gauge Wire)                      |
| 25 | <a href="#">Y00114</a> |                        | Spade Terminal  |
| 26 | Y00113                 | Not Available          | TERMINAL,RING-1/4 STUD                                |
| 27 | <a href="#">Y00111</a> |                        | Ring Terminal No.10 No.10 18 Gauge Wires Or           |
| 28 | <a href="#">00110</a>  |                        | No.10 18 Gauge Wire                                   |

