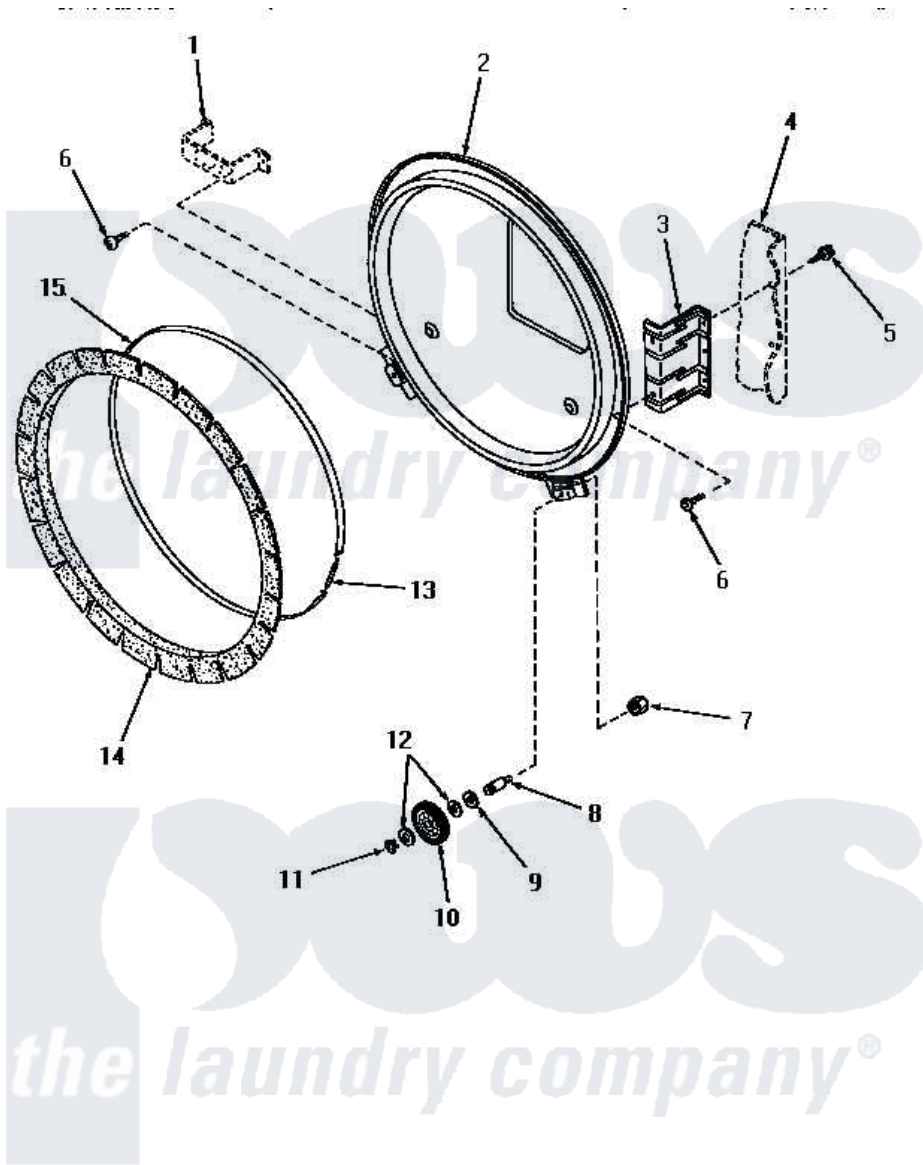


Amana HS8031 17 - REAR BLKHD, FELT SEAL & CYLINDER ROLLER



REAR BULKHEAD, FELT SEAL AND CYLINDER ROLLER

Amana [Residential Amana HS8031 Washer Parts](#) Parts Diagram 17 - REAR BLKHD, FELT SEAL & CYLINDER ROLLER

[Click on the part number to view part](#)

| Item | Original Part Number | Replaced By | Status | Part Description |
|------|-----------------------|--------------------------|---------------|---------------------------------|
| 1 | Y00000000 | | Not Available | SEE NOTE TERMINAL BLOCK BRACKET |
| 2 | 58520 | | | Assembly, Bulkhead And Bracke |
| 3 | 56055 | | Not Available | BRACKET,BULKHEAD-REAR |
| 4 | Y00000000 | | Not Available | SEE NOTE CABINET |
| 5 | 25723 | 27001200 | | Screw |
| 6 | 56078 | M400664 | | SCrew Tap Trs Cr Rec 1016AB |
| 7 | 56156 | 358160 | | Nut |
| 8 | 56461 | | | Shaft |
| 9 | 23886 | | Not Available | WASHER,.578IDX1.25ODX1 |
| 10 | 56457 | 62649P | | Roller- CY |
| 11 | 23748 | | | Ring, Retaining |
| 12 | 52549 | | | Washer, 501 ID X3/4 Odx |
| 13 | 52310 | | | Spring |
| 14 | 56088 | | | Assembly, Seal |

