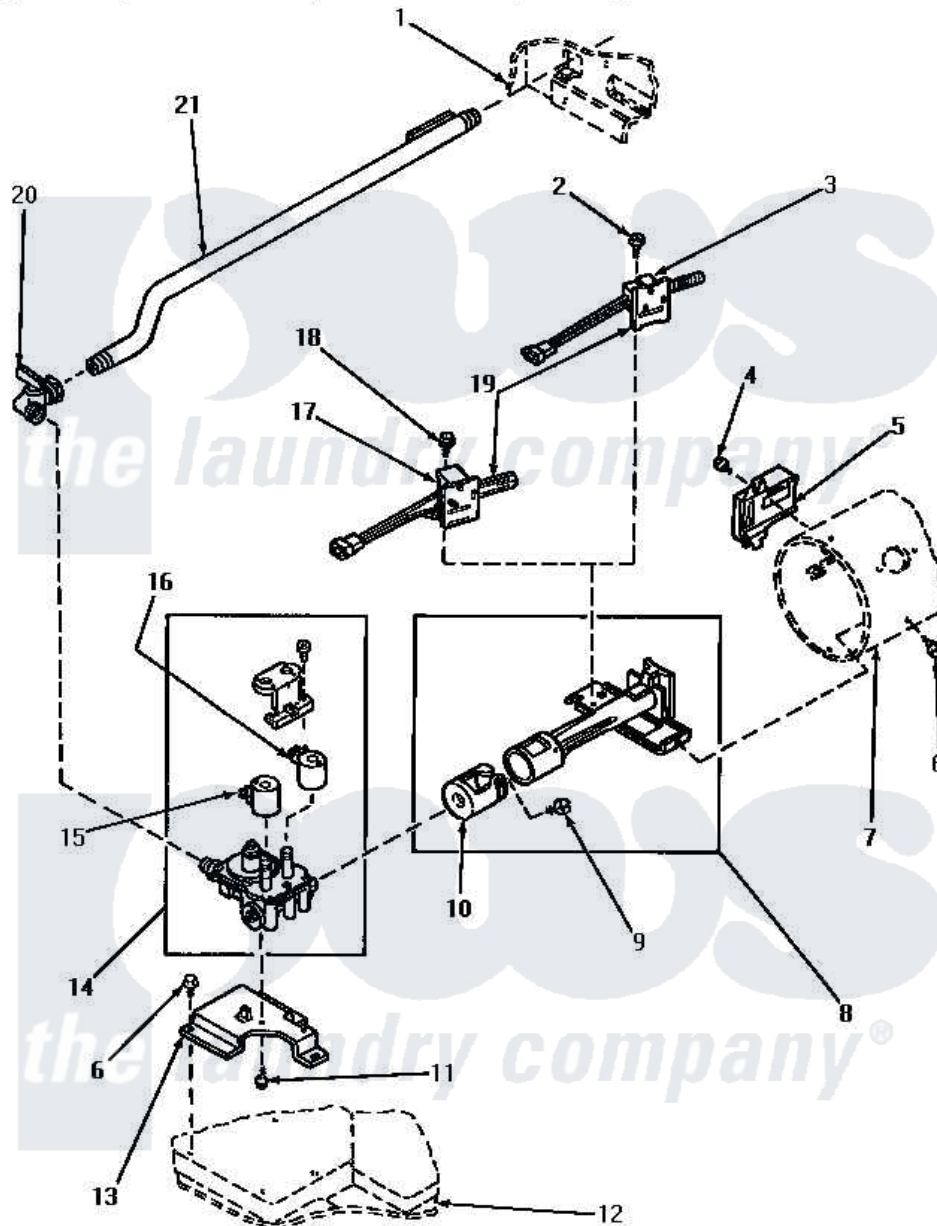


# Amana KG5319 04 - GAS VALVE, IGNITER & GAS CONVERSION KITS



Amana Residential Amana KG5319 Washer Parts Parts Diagram 04 - GAS VALVE, IGNITER & GAS CONVERSION KITS

[Click on the part number to view part](#)

Item	Original Part Number	Replaced By	Status	Part Description
1	Y00000000		Not Available	SEE NOTE CABINET
2	<a href="#">56693</a>			Screw, No.6-20 x. 44/.41 In
3	Y00000000		Not Available	SEE NOTE CARBORUNDUM IGNITER AND BRACKET
4	23222	<a href="#">3177991</a>		Screw
5	Y56231	<a href="#">338906</a>		Radiant, Sensor
6	56264	<a href="#">27001200</a>		Screw
7	Y00000000		Not Available	SEE NOTE BURNER HOUSING
8	Y56234	<a href="#">37001304</a>		Burner Ign
9	51356		Not Available	SCREW,6-32 X 5/16 RD H
10	53007	<a href="#">53-007</a>		Receptacle
11	56124	<a href="#">3370225</a>		Screw
12	Y00000000		Not Available	SEE NOTE BASE
13	58912	<a href="#">500821</a>		Bracket, Mounting-Gas
14	<a href="#">58804</a>			Assembly, Valve-Gas-Single-

15	58804A	<a href="#">306106</a>	Coil, Holding And Booster--W
16	58804B	<a href="#">694540</a>	Coil, 60 Hz
17	Y0000000		Not Available SEE NOTE NORTON IGNITER AND BRACKET
18	<a href="#">56693</a>		Screw, No.6-20 x. 44/.41 In
19	Y61076	<a href="#">37001308</a>	Ignitor
20	Y56229	<a href="#">510205</a>	Valve-Elbo
21	<a href="#">58911</a>		Assembly, Lead-In Pipe

